


Miami-Dade County Building

Product Information for N.O.A. 19-0326.04

NOA	19-0326.04  library/productscontrol/noa/19032604.pdf
Superseded_By	
File Status	File Approved
File Classification	High velocity hurricane zone
Category	Panels
Subcategory	Wall
Material	Cementitious
Applicant	GigaCrete, Inc. (pc-result_detail_app.asp?app_alias=104841)
Expiration_Date	May/30/2024
Impact_Rate	Large and Small Missile Impact
Maximum_Design_Pressure_Positive	100
Maximum_Design_Pressure_Negative	100
Description	GigaCrete Steel Frame Building System
Green_Sustainable_Attributes	NONE

For a detailed description on the File Status, click the [NOA File Status Key. \(building/pc-result_key_app.asp\)](#)

Page Last Edited: Wed Jan 25, 2017 10:40:27 AM





DEPARTMENT OF REGULATORY AND ECONOMIC RESOURCES
BOARD AND CODE ADMINISTRATION DIVISION

MIAMI-DADE COUNTY
PRODUCT CONTROL SECTION
11805 SW 26 Street, Room 208
Miami, Florida 33175-2474
T (786) 315-2590 F (786) 315-2599

www.miamidade.gov/economy

NOTICE OF ACCEPTANCE (NOA)

GigaCrete, Inc.
4550 Engineers Way, Suite #101
North Las Vegas, NV 89081

SCOPE:

This NOA is being issued under the applicable rules and regulations governing the use of construction materials. The documentation submitted has been reviewed and accepted by Miami-Dade County RER-Product Control Section to be used in Miami Dade County and other areas where allowed by the Authority Having Jurisdiction (AHJ).

This NOA shall not be valid after the expiration date stated below. The Miami-Dade County Product Control Section (In Miami Dade County) and/or the AHJ (in areas other than Miami Dade County) reserve the right to have this product or material tested for quality assurance purposes. If this product or material fails to perform in the accepted manner, the manufacturer will incur the expense of such testing and the AHJ may immediately revoke, modify, or suspend the use of such product or material within their jurisdiction. RER reserves the right to revoke this acceptance, if it is determined by Miami-Dade County Product Control Section that this product or material fails to meet the requirements of the applicable building code.

This product is approved as described herein, and has been designed to comply with the High Velocity Hurricane Zone of the Florida Building Code.

DESCRIPTION: GigaCrete Exterior Wall Panel System

APPROVAL DOCUMENT: Drawing No. 19-008, titled "GigaCrete Exterior Wall Panel System", sheets 1 through 13 of 13, prepared by Tilteco, Inc., dated January 30, 2019, signed and sealed by Walter A. Tillit Jr., P.E., on February 15, 2019 bearing the Miami-Dade County Product Control Approval stamp with the Notice of Acceptance number and the approval date by the Miami-Dade County Product Control Section.

MISSILE IMPACT RATING: Large and Small Missile Impact Resistant

LABELING: Each panel shall bear a permanent label with the manufacturer's name or logo, city, state and the following statement: "Miami-Dade County Product Control Approved", unless otherwise noted herein.

RENEWAL of this NOA shall be considered after a renewal application has been filed and there has been no change in the applicable building code negatively affecting the performance of this product.

TERMINATION of this NOA will occur after the expiration date or if there has been a revision or change in the materials, use, and/or manufacture of the product or process. Misuse of this NOA as an endorsement of any product, for sales, advertising or any other purposes shall automatically terminate this NOA. Failure to comply with any section of this NOA shall be cause for termination and removal of NOA.

ADVERTISEMENT: The NOA number preceded by the words Miami-Dade County, Florida, and followed by the expiration date may be displayed in advertising literature. If any portion of the NOA is displayed, then it shall be done in its entirety.

INSPECTION: A copy of this entire NOA shall be provided to the user by the manufacturer or its distributors and shall be available for inspection at the job site at the request of the Building Official.

This NOA consists of this page 1, evidence submitted page E-1 as well as approval document mentioned above.

The submitted documentation was reviewed by **Helmy A. Makar, P.E., M.S.**



Helmy A. Makar
05/30/2019

NOA No. 19-0326.04
Expiration Date: 05/30/2024
Approval Date: 05/30/2019

GigaCrete, Inc.

NOTICE OF ACCEPTANCE: EVIDENCE SUBMITTED

A. DRAWINGS

1. *Drawing No. 19-008, titled "GigaCrete Exterior Wall Panel System", sheets 1 through 13 of 13, prepared by Tilteco, Inc., dated January 30, 2019, signed and sealed by Walter A. Tillit Jr., P.E., on February 15, 2019.*

B. TEST

1. *Test report on Large Missile Impact test per TAS 201, Cyclic Wind Pressure test per TAS 203 and Uniform Static Air Pressure test and Air & Water Infiltration tests per TAS 202 and ASTM E 72-98 on Composite Wall Panels over Galvanized Steel Studs, prepared by Blackwater Testing, Inc., report No. BT-GIC-18-002, dated 02/11/2019, signed and sealed by Constantin Bortes, P.E.*
2. *Test report on Heat Release and Flame Spread on Composite Wall Panels over Galvanized Steel Studs, prepared by Intertek, report No. G100017878COQ-004 rev 1, dated 05/18/10, revised on 06/07/10, signed by Greg Philp.*

C. CALCULATIONS

1. *Panel allowable calculation and Anchors' verification prepared by Walter A. Tillit Jr., P.E. dated February 08, 2019, signed and sealed by Walter A. Tillit Jr., P.E.*

D. QUALITY ASSURANCE

1. *By Miami-Dade County Department of Regulatory and Economic Resources (RER).*

E. MATERIAL CERTIFICATION

1. *Copy of N.O.A. # 17-1207.05.*

F. OTHERS

1. *Florida Building Code, 2017 Edition Compliance letter, issued by Tilteco, Inc., dated February 04, 2019, signed and sealed by Walter A. Tillit Jr., P.E.*



Helmy A. Makar, P.E., M.S.
Product Control Section Supervisor
NOA No. 19-0326.04
Expiration Date: 05/30/2024
Approval Date: 05/30/2019

GENERAL NOTES:

- THIS PRODUCT APPROVAL DOCUMENT (P.A.D.) APPLIES ONLY TO THE WALL PANEL SYSTEM INDICATED AND SPECIFIED ON THIS DRAWING, AND HAS BEEN VERIFIED FOR COMPLIANCE IN ACCORDANCE WITH THE 2017 (6TH EDITION) OF THE FLORIDA BUILDING CODE.
DESIGN WIND LOADS TO OBTAIN A BUILDING PERMIT SHALL BE DETERMINED AS PER SECTION 1620 OF THE ABOVE MENTIONED CODE, USING ASCE 7-10 AND SHALL NOT EXCEED THE MAXIMUM (A.S.D.) DESIGN PRESSURE RATINGS INDICATED ON THIS SHEET.
IN ORDER TO VERIFY THE ABOVE CONDITION, ULTIMATE DESIGN WIND LOADS DETERMINED PER ASCE 7-10 SHALL BE FIRST REDUCED TO A.S.D. DESIGN WIND LOADS BY MULTIPLYING THEM BY 0.6 IN ORDER TO COMPARE THESE W/ MAX. (A.S.D.) DESIGN PRESSURE RATINGS INDICATED ON THIS SHEET.
DESIGN DEAD AND LIVE LOADS SHALL BE DETERMINED IN ACCORDANCE WITH SECTION 1607 OF THE FLORIDA BUILDING CODE, AND AS PER ASCE 7-10 STANDARD.
- BUILDING DIMENSIONS, DETAILS, UPLIFT, OVERTURNING, FOUNDATION, ROOF AND OTHER ELEMENTS WHERE WALL PANELS WILL BE INSTALLED SHALL BE DESIGNED BY A FLORIDA REGISTERED PROFESSIONAL ENGINEER OR ARCHITECT AND REVIEWED BY THE STRUCTURAL PLANS EXAMINER OF THE CORRESPONDING BUILDING DEPARTMENT IN ORDER TO ISSUE A PERMIT FOR CONSTRUCTION.
- ALL ELECTRICAL, MECHANICAL DETAILS AND PARTS AND FIRE RATING PROVISIONS ARE NOT PART OF THIS APPROVAL AND SHALL BE PREPARED BY A FLORIDA REGISTERED PROFESSIONAL ENGINEER AND REVIEWED BY THE CORRESPONDING BUILDING DEPARTMENT IN ORDER TO ISSUE A PERMIT FOR CONSTRUCTION.
- THIS PRODUCT COMPLIES WITH SECTIONS 2603.3, 2603.4 & 2603.9 OF THE FLORIDA BUILDING CODE.
- ALL SCREWS SHALL BE CORROSION RESISTANT AS PER DIM 50018 WITH MIN. Fy=92 KSI AND Fu=120 KSI & SHALL COMPLY W/ FLORIDA BUILDING CODE SECTION 2411.3.3.4.
- ANCHORS TO CONCRETE FLOOR & FOUNDATION SHALL BE AS FOLLOWS:
 - COMPONENT # 7A) 3/4" x 9" GALVANIZED STEEL, ALL THREADED ROD WITH 1/8" x 1-1/2" OD WASHERS AS SHOWN ON ELEVATIONS SHEETS 6, 7 & 8, USE 6 3/4" MINIMUM EMBEDMENT & 4" MINIMUM EDGE DISTANCE. USE WITH SIMPSON'S STRONG TIE "SET 22" EPOXY ADHESIVE. SEE BILL OF MATERIALS ON SHEET 4.
 - COMPONENT # 7B) 3/4" x 9" + 4" COUPLING + 9 3/4" (REMAINING WALL HEIGHT) GALVANIZED STEEL, ALL THREADED ROD WITH 1/8" x 1-1/2" OD WASHERS, AS SHOWN ON ELEVATIONS SHEETS 6, 7 & 8. USE 6 3/4" MINIMUM EMBEDMENT & 4" MINIMUM EDGE DISTANCE. USE WITH SIMPSON'S STRONG TIE "SET 22" EPOXY ADHESIVE. SEE BILL OF MATERIALS ON SHEET 4.

- WHEN INSTALLED AS A CURTAIN WALL, PANEL SHALL BE Laterally supported by concrete slabs/beams, wood or steel structural beams. Spacing between lateral support shall not exceed 24' on centers on buildings without a concrete slab at top. Structural adequacy of existing building shall be verified by the permit holder.

MAXIMUM A.S.D. ALLOWABLES: OBTAINED THRU TESTING PERFORMED AS PER TAS 201, 202, 203 AND ASTM E-72, AS PER BLACKWATER TESTING INC. REPORT # BT-GC-18-002
LARGE MISSILE IMPACT RESISTANT: 50 FT/SEC. MISSILE SPEED.
MAXIMUM PANEL HEIGHT: 120'
MAXIMUM PANEL WIDTH: 48'
MAXIMUM A.S.D. COMPRESSION LOAD PER 4' PANEL: 3734 Lb (934 Lb/FT) *
MAXIMUM A.S.D. TENSION LOAD PER 4' PANEL: 2600 Lb (650 Lb/FT) *
MAXIMUM A.S.D. RACKING LOAD PER 4' PANEL: 2200 Lb (550 Lb/FT) *
MAXIMUM LATERAL A.S.D. DESIGN PRESSURE RATING FOR PANELS WITH STUDS @ 24" o.c.: ±100.0 psf

* ONLY SOLID PANELS (WITH NO OPENINGS) SHALL BE CONSIDERED TO RESIST THE RACKING FORCES, COMPRESSION AND TENSION LOADS.
ELECTRIC SERVICE DROP CONDUCTORS OR ANY OVERHEAD WIRING SHALL NOT EXIST OR BE INSTALLED OVER ANY PART OF THIS STRUCTURE.

9. (c) THIS P.A.D. PREPARED BY THIS ENGINEER IS GENERIC AND DOES NOT PROVIDE INFORMATION FOR A SITE SPECIFIC PROJECT, i.e. WHERE THE SITE CONDITIONS DEVIATE FROM THE P.A.D.

(b) CONTRACTOR TO BE RESPONSIBLE FOR THE SELECTION, PURCHASE AND INSTALLATION INCLUDING LIFE SAFETY OF THIS PRODUCT BASED ON THIS P.A.D. PROVIDED HE/SHE DOES NOT DEVIATE FROM THE CONDITIONS DETAILED ON THIS DOCUMENT. CONSTRUCTION SAFETY AT SITE IS THE CONTRACTOR'S RESPONSIBILITY.

(c) THIS P.A.D. WILL BE CONSIDERED INVALID IF MODIFIED.

(d) SITE SPECIFIC PROJECTS SHALL BE PREPARED BY A FLORIDA REGISTERED ENGINEER OR ARCHITECT WHICH WILL BECOME THE PROFESSIONAL OF RECORD (P.O.R.) FOR THE PROJECT AND WHO WILL BE RESPONSIBLE FOR THE PROPER USE OF THE P.A.D. PROFESSIONAL OF RECORD, ACTING AS A DELEGATED ENGINEER TO THE P.A.D. ENGINEER SHALL SUBMIT TO THIS LETTER THE SITE SPECIFIC DRAWINGS FOR REVIEW.

(e) ORIGINAL P.A.D. SHALL BEAR THE DATE AND ORIGINAL SEAL AND SIGNATURE OF THE PROFESSIONAL ENGINEER THAT PREPARED IT.

10. A PERMANENT PANEL MANUFACTURER'S LABEL SHALL BE PLACED ON THE EXPOSED SURFACE OF THE PANEL ONE LABEL SHALL BE PLACED FOR EVERY PANEL LABEL SHALL READ AS FOLLOWS:
GigaCrete WALL PANEL
NORTH LAS VEGAS, NV
MIAMI-DADE COUNTY PRODUCT CONTROL APPROVED.

THIS DRAWING SHALL ONLY BE USED TO OBTAIN PERMITS IN THE STATE OF FLORIDA

Approved as representing with the Florida Building Code by: *[Signature]*
Date: 05/30/2019
Professional Engineer No. 14-03226-04
Miami-Dade Professional Engineer

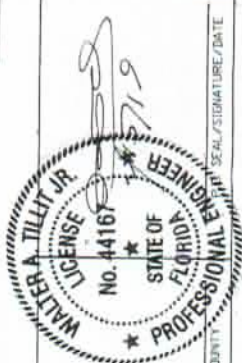
8019 RUTLEDGE, INC.
TILECO inc.
TILECO TESTING, INC. AN OVERSEAS COMPANY
1800 N.W. 34th Street, Suite 101
Miami, FL 33142-1100, Fax: 772-200971-1333
4-2009713
WALTER A. TILLET JR., P.E.
FLORIDA Lic. # 44167

FLORIDA BUILDING CODE (HIGH VELOCITY HURRICANE ZONE)

GigaCrete Exterior Wall Panel System

GigaCrete
4520 ENGINEERS WAY, SUITE 101
NORTH LAS VEGAS, NV 89001

DATE: 05/30/2019
SCALE: 1/8" = 1'-0"
SHEET 1 OF 13



MIAMI-DADE COUNTY SEAL/SIGNATURE/DATE

**SPECIFICATIONS & APPLICATION SEQUENCE FOR STUCCO MAX ON WALL PANELS
MANUFACTURED BY GIGACRETE INC.**

- (1) STUCCO MAX EXTERIOR ONE COAT STUCCO OVER EPS FOAM
- (1.1) DESCRIPTION:
STUCCO MAX IS A TRIPLE GREEN NON PORTLAND CEMENT BASE EXTERIOR WALL FINISH COATING. ITS HIGH EARLY STRENGTH IS ACHIEVED IN LESS THAN 24 HOURS AND FAST SETTING QUALITIES ENABLE THE FINISH TO BE APPLIED WITHIN A SHORT WORK DAY. STUCCO MAX UTILIZES FIBERGLASS MESH TO FURTHER ENHANCE ITS INHERENT ABUSE RESISTANT QUALITIES IN THIN APPLICATIONS.
- (1.2) USES:
STUCCO MAX IS APPLIED TO EXTERIOR WALLS IN RESIDENTIAL, COMMERCIAL AND INDUSTRIAL INSULATED CONCRETE CONSTRUCTION (ICC7) AND OTHER BUILDING SYSTEMS THAT UTILIZE EXPANDED POLYSTYRENE (EPS). STUCCO MAX IS ALSO USED AS A MULTIPURPOSE BARBER. THE PRODUCT CAN BE PAINTED OR STAINED, FINISHED IN NUMEROUS TEXTURES, INTEGRAL COLORS ARE NOT AVAILABLE.
- (1.3) ADVANTAGES:
STUCCO MAX SETS AND CURES IN A FRACTION OF THE TIME OF CONVENTIONAL PORTLAND CEMENT PRODUCTS PROVIDING QUICK JOB TURN AROUND.
- (1.4) JOB SITE CONDITIONS:
(1.4.1) WEATHER: STUCCO MAX SHALL BE APPLIED IN AMBIENT AIR TEMPERATURES ABOVE 32°F AND REMAIN ABOVE 32°F FOR A 24 HOUR PERIOD. AVOID INSTALLING IN EXCESSIVE HEAT ABOVE 85°F UNLESS PRECURLINGS ARE MADE TO AVOID RAPID HYDRATION.
DO NOT APPLY STUCCO MAX DURING INCLEMENT WEATHER OR WHEN INCLEMENT WEATHER IS INEVITABLE UNLESS APPROPRIATE WEATHER PROTECTION IS USED.
- (1.4.2) DIRECT SUNLIGHT: WHENEVER POSSIBLE, AVOID INSTALLING STUCCO MAX IN DIRECT SUNLIGHT. DIRECT SUNLIGHT REDUCES WORKING TIME AND MAY PROMOTE PREMATURE SURFACE HYDRATION. SHADE THE WORK AREA IF NECESSARY TO AVOID SUN/SHADE LINES FROM THE COATING ITSELF. INSTANT THE WORK AREA IN DRY CONDITIONS WILL INCREASE THE RELATIVE HUMIDITY (15% MINIMUM) AND HELP THE MATERIALS FROM PREMATURE HYDRATION. WET CURING FOR AT LEAST 3 HOURS IS RECOMMENDED AND MAINTAIN 50% MINIMUM RELATIVE HUMIDITY FOR 24 HOURS.
- (1.5) ACCESSORIES AND RELATED MATERIALS:
(1.5.1) SEALANTS: PERIMETER SEALS AROUND WINDOW AND DOOR FRAMES AND ALL OTHER THROUGH WALL PENETRATIONS SHALL BE DESIGNED FOR 50% ELONGATION AND MINIMUM 25% COMPRESSION. APPROPRIATE SEALANT SHALL BE SELECTED BY THE ARCHITECT.
- (1.5.2) JOINT DESIGN AND ASSOCIATED PREPARATION SHALL BE BASED UPON THE SEALANT MANUFACTURER'S RECOMMENDATION.
FLASHING: FLASHING AROUND WINDOWS, DOORS CHIMNEYS, TRANSITIONS BETWEEN WALLS AND ROOF AND AT OTHER POINTS SPECIFIED SHALL BE CONTINUOUS AND WATERIGHT. FLASHING SHALL BE DESIGNED AND INSTALLED TO PREVENT WATER PENETRATION BEHIND THE STUCCO MAX SYSTEM.
- (1.5.3) JOINTS: EXPANSION JOINTS ARE INSTALLED AT ALL AREAS WHERE MOVEMENT IS ANTICIPATED AND AT ALL BUILDING STRUCTURAL BREAKS. JOINT PLACEMENT SHALL BE SPECIFIED BY THE ARCHITECT AND SHOULD FOLLOW STANDARD PASTER/STUCCO PRACTICES.
- (1.6) SUBSTRATE PREPARATION:
(1.6.1) ALL FINISHES: NECESSARY TO REMOVE POTENTIAL BOND BREAKERS AND TO ENSURE GOOD ADHESION. SURVEY THE SURFACE FOR IRREGULARITIES THAT MAY ADVERSELY AFFECT THE APPLICATION SUCH AS MINOR PROTRUSIONS AND Voids CUT INTO THE EPS NEED TO BE FILLED PRIOR TO THE STUCCO MAX INSTALLATION. LOW EXPANSION SPRAY FOAM IS APPLIED INTO THE Voids ALLOWED TO CURE AND SHIMED FLAT WITH THE SURFACE.
- (1.7) MESH:
(1.7.1) MESH: MESHING WATER MUST BE FAVORABLE AND FROM A MUNICIPAL SOURCE. WATER TEMPERATURE SHOULD BE CONSIDERED AND ADJUSTED FOR ACCESSORIES.
(1.7.2) MESH: MESHING WATER MUST BE FAVORABLE AND FROM A MUNICIPAL SOURCE. WATER TEMPERATURE SHOULD BE CONSIDERED AND ADJUSTED FOR ACCESSORIES.
(1.7.3) EQUIPMENT: H2O BRILLS WITH TYPICAL PLASTER WHEEL ATTACHMENTS MAY BE USED. HAND HELD ERGONOMICALLY ENGINEERED REDUCING WORKABILITY.
(1.7.4) BUCKET LIFE IS APPROXIMATELY 20 MINUTES. PLAN THE INSTALLATION SO THAT EACH BATCH CAN BE CONVENIENTLY APPLIED WITHIN THIS TIME FRAME. RE TEMPERING BATCHES THAT ARE BEGINNING TO SET IS STRONGLY DISCOURAGED.
- (1.8) SPRAY EQUIPMENT:
STUCCO MAX MAY BE APPLIED BY HAND TROWEL, HOPPER GUN TEXTURE SPRAYER OR STUCCO/PLASTER TYPE SPRAY EQUIPMENT.

(1.9) APPLICATION

- A FIRST COAT OF STUCCO MAX IS DISCREETLY APPLIED TO THE EPS AND WORKED FLAT. MESH IS EMBEDDED INTO THE FIRST COAT. REINFORCING MATERIALS SHOULD BE EMBEDDED INTO THE MESH IS FLAT AND FREE OF WRINKLES. OVERLAP ADJOINING MESH BY A MINIMUM OF 2" TO 4" IDEALLY. A SECOND PASS OF STUCCO MAX IS IMMEDIATELY APPLIED OVER THE MESH TO THE SPECIFIED THICKNESS. THIS IS A TRUE ONE COAT DOUBLE BACK (TWO PASS) METHOD THAT TYPICALLY RESULTS IN 1" OVERALL THICKNESS.
- (1.9.1) MESH: MESH GAUGE 11 GAUGE FEES YARD ARE OVERLAPPED ON ALL EDGES. A MINIMUM OF 2.5" APPLY MESH STRIPS ON ALL CORNERS OF DOORS AND WINDOWS. BRACKS COUGHING IS MOST LIKELY TO OCCUR. THESE ARE ALSO PRE-CUT 1" AND 1" SHAPES AND IS AN INDUSTRIAL STANDARD FOR ALL STUCCO MAX APPLICATIONS. TEMPERATURE AND HUMIDITY.
- (1.9.2) TROWEL FINISH: WORKING TIME EXTENDS ON MATERIAL MOISTURE. TEMPERATURE AND HUMIDITY. GENERALLY THE MATERIAL IS EASILY APPLIED BY APPROXIMATELY 20 MINUTES. TROWEL FINISHES AND APPLICATION IRREGULARITIES MAY BE FLATTENED WITHIN 20 MINUTES OF THE APPLICATION. WATER TROWEL IS NOT HARD STUCCO MAX. DO NOT OVER TROWEL AS SURFACE BLISTERING MAY OCCUR. PLAN TO IMPROVE THE WALL PROFILE IN THE RELATIVE SHORT TERM.
- (1.9.3) SURFACE PROTECTION AND DECORATION:
EXTERIOR MASONRY TYPE PAINT FINISHES ARE RECOMMENDED PRIOR TO FINAL PAINT COAT. WASHING THE WALL SURFACE TO REMOVE ANY DUST OR CONTAMINANTS IS HIGHLY RECOMMENDED PRIOR TO ANY PAINTING. IF THE NATURAL STUCCO MAX IS PREFERRED IT SHOULD BE SEaled WITH A CLEAR NON STAINING SEALER WHICH WILL ASSIST REDUCING STAINS OR WATERMARKS CAUSED BY RAIN RUN-OFF.
- (1.9.4) CURING: ENSURE THAT STUCCO MAX IS ALLOWED TO CURE IN TEMPERATURES WITHIN THE APPLICATION TEMPERATURE RANGE. MOST CURING FOR 2 HOURS IS RECOMMENDED.

Prepared and approved by: *[Signature]*
Date: 05/30/2019
NCO# 19-0326-04
2.5cm

 <p>60019 TILECO, INC. TILECO, INC. 10000 W. CENTRAL EXPRESSWAY, SUITE 101 ADDY, WA 99001, USA Phone: (509) 325-1100 Fax: (509) 325-1101 E-mail: sales@tileco.com CA-0000819 WALTER A. TILIT JR., P.E. FLORIDA Lic. # 44167</p>		<p>FLORIDA BUILDING CODE (HIGH VELOCITY HURRICANE ZONE)</p> <p>GigaCrete Exterior Wall Panel System</p> <h1>GigaCrete</h1> <p>4500 ENGINEERS WAY, SUITE 101 NORTH LAS VEGAS, NV 89001</p>		<p>M.P. DRAWING NO. 19-008</p> <p>DATE: 1/30/19</p>			
REV. NO.	DESCRIPTION	DATE	BY	DATE	BY	DATE	BY
1							
2							
3							
4							
5							
6							
7							
8							
9							
10							
11							
12							
13							
14							
15							
16							
17							
18							
19							
20							
21							
22							
23							
24							
25							
26							
27							
28							
29							
30							
31							
32							
33							
34							
35							
36							
37							
38							
39							
40							
41							
42							
43							
44							
45							
46							
47							
48							
49							
50							
51							
52							
53							
54							
55							
56							
57							
58							
59							
60							
61							
62							
63							
64							
65							
66							
67							
68							
69							
70							
71							
72							
73							
74							
75							
76							
77							
78							
79							
80							
81							
82							
83							
84							
85							
86							
87							
88							
89							
90							
91							
92							
93							
94							
95							
96							
97							
98							
99							
100							



NAME DATE COURSE E. SEAL/SIGNATURE/DATE

SPECIFICATIONS & APPLICATION SEQUENCE FOR PLASTER MAX OX WALL PANELS MANUFACTURED BY GIGACRETE, INC.

- (2) **PLASTER MAX: INTERIOR VENEER PLASTER OVER EPS FOM**
- (2.1) **DESCRIPTION:**
- PLASTERMAX IS A STATE-OF-THE-ART AEROSOL RESISTANT VENEER PLASTER SPECIFICALLY FORMULATED TO PROVIDE A VERSATILE HIGH-STRENGTH INTERIOR WALL FINISH OVER EXPANDED POLYSTYRENE FOM. THE PRODUCT MAY BE INSTALLED IN ONE OR TWO COATS DEPENDING ON SPECIFICATION REQUIREMENTS AND DESIRED AESTHETIC EFFECTS.
- (2.2) **CLIMATE:**
- PLASTERMAX COMPLIES WITH ASTM F150, ASTM E84, ASTM D27, ASTM C597, USC 26-3 AND NFPA 266 FIRE RATING.
- (2.2.1) **TEMPERATURE:** PLASTERMAX MUST BE APPLIED ON INTERIOR WALLS WITH A MINIMUM SURFACE TEMPERATURE AND AMBIENT ROOM TEMPERATURES BETWEEN 50F AND 95F (10C-35C) WITH A MINIMUM WALL SURFACE TEMPERATURE ABOVE 50F (10C). IN COLDEST WEATHERS THE BUILDING SHALL BE HEATED LONG ENOUGH TO BRING THE SURFACE TEMPERATURE OF THE SUBSTRATE ABOVE 50F AND MAINTAINED UNTIL PLASTERMAX HAS SUFFICIENTLY CURED. DO NOT APPLY PLASTERMAX IN TEMPERATURES BEYOND 95F. USE A/C OR SWAMP COOLERS TO ACHIEVE IDEAL ROOM TEMPERATURES.
- (2.2.2) **HUMIDITY:** THE BUILDING MUST HAVE A MINIMUM RELATIVE HUMIDITY TO BE PROVIDED BY GIGACRETE TO AVOID PREMATURE CURING OF PLASTERMAX.
- (2.2.3) **WIND DRAINAGE & AIR INDEPENDENTLY:** STRICTLY FOLLOW GIGACRETE SPECIFICATIONS FOR TEMPERATURE & HUMIDITY PERCENTAGE, AS WELL AS CONTROL CHASE MOVEMENT.
- (2.2.4) **DIRECT SUNLIGHT:** SHOULD THE PLASTERMAX FROM DIRECT SUNLIGHT DURING THE INSTALLATION AND ITS INITIAL 48 HOUR CURE PERIOD. BEFORE THE APPLICATION SUBSTRATE IS FREE OF SURFACE MOISTURE PRIOR TO THE PLASTERMAX APPLICATION AND THAT THE SURFACE OF THE MOISTURE IS PROPERLY ADDRESSED. PLASTERMAX MUST NOT BE MOISTENED DURING THE APPLICATION OF COATS.
- (2.3) **SUBSTRATE PREPARATION:**
- (2.3.1) **ALL EDGES:** FINISHING IS NECESSARY TO REMOVE POTENTIAL BOND BREAKERS AND TO ENSURE GOOD ADHESION. MECHANICAL CHASE JOINTS MUST BE NEARLY TO THE PLASTERMAX INSTALLATION.
- (2.4) **MOVING PLASTERMAX ACTIVATOR & MIXING EQUIPMENT:** PER GIGACRETE SPEC'S
- (2.4.1) **SPRAY EQUIPMENT:** PLASTERMAX MAY BE APPLIED BY HAND TROWEL, HOPPER GUN TEXTURE SPRAYER OR STUCCO/PLASTER TYPE SPRAY EQUIPMENT. WHEN USING SPRAY EQUIPMENT, IT MAY BE NECESSARY TO ADJUST THE AIR FLOW.
- (2.5) **ACCESSORIES:**
- (2.5.1) **CONTROL JOINTS:** CONTROL JOINTS ARE NECESSARY TO COMPENSATE FOR POTENTIAL STRUCTURAL MOVEMENT, SETTLING, THERMAL EXPANSION OR CONTRACTION AND PROVIDE INSTALLATION STOP AND START POINTS. IT IS RECOMMENDED THAT JOINTS ARE BE PLACED AT REGULAR SPACINGS, HOWEVER DEFENDING ON WALL HEIGHTS IT IS BEST TO FOLLOW INDUSTRY STANDARD PRACTICE. "V" JOINTS ARE PREFERRED AS IT IS EASIER TO MAINTAIN THE TARGET INSTALLATION DEPTH ALONG A TEMPORARY TEAR AWAY STRIP THAT RUNS ALONG EACH SIDE OF THE CENTER GROOVE.
- (2.5.2) **CASING BEAD:** CASING BEADS ARE NECESSARY TO EQUALIZE PLASTERMAX FROM DISSIMILAR MATERIALS SUCH AS METAL DOOR FRAMES, METAL WINDOW FRAMES, CEILING, FLOORS AND WALLS.
- (2.5.3) **OUTSIDE CORNER BEAD:** OUTSIDE CORNER BEADS ARE OPTIONAL, BUT RECOMMENDED.
- (2.6) **FINISH: DIRECT APPLICATION TO FOM**
- (2.6.1) **PREPARATION:** REMOVE ALL POSSIBLE BOND BREAKERS SUCH AS DUST, OIL, MOISTURE, WALL PAPER ETC. SURVEY THE SUBSTRATE FOR IRREGULARITIES THAT MAY ADVERSELY AFFECT THE APPLICATION SUCH AS MINOR PROTRUSIONS AND VOID. WALLS MUST NOT BE WET OR MOIST OR CONTAIN MOISTURE TRAPPED WITHIN THE WALLS. ALL FOMs SHOULD BE RASPED AND CLEAN OF CONTAMINANTS AND DO NOT REQUIRE AERIAL BONDERS.
- (2.6.2) **REINFORCED MESH:** 11 OZ FIBERGLASS FOM GIGACRETE IS A CRITICAL PART OF THE PLASTERMAX APPLICATION. A 1/2" (13MM) MINIMUM COAT OF PLASTERMAX IS APPLIED TO THE SUBSTRATE BEING COATED AND IMPROVED REASONABLY FLAT. OVERLAP 2" TO 3" ALLOWING VERTICALLY HUNG MESH SHEETS. AN ADDITIONAL COAT OF PLASTERMAX IS NOW APPLIED OVER THE FIRST LAYER AND BUILT UP TO THE DESIRED THICKNESS.
- (2.6.3) **SPRADING:** SPRADING IS BOTH FASTER TO APPLY AND ALLOWS LARGE WALLS TO BE COVERED QUICKER. PLASTERMAX MAY BE APPLIED BY HAND AND TROWEL, BUT SPRAY APPLICATION IS RECOMMENDED FOR BEST RESULTS.
- (2.6.4) **HAND & TROWEL:** PLASTERMAX IS HAND APPLIED LIKE MOST CONVENTIONAL PLASTER MATERIALS.
- (2.6.5) **TROWEL FINISH:** DRY AND SET TIMES DEPEND ON MATERIAL VISCOSITY, TEMPERATURE AND HUMIDITY. GENERALLY, THE FIRST TROWEL PASS IS APPROXIMATELY 20 MINUTES AFTER THE INITIAL APPLICATION AND IN 20 MINUTE INTERVALS FOR SUBSEQUENT TROWEL PASSES. TROWELLING FROM TOP TO BOTTOM EACH TIME HELPS TO KEEP A GOOD WALL PROFILES FOR CONVENTIONAL PLASTER MAY BE USED. IT IS IMPORTANT TO ALLOW PLASTERMAX TO MAKE AN INITIAL SET (SEE STAGE) BEFORE ATTEMPTING TO FINISH IT SMOOTH. SPRAY TEXTURES SUCH AS ORANGE PEEL, SPATTER AND SPALITER KNOCKDOWN ARE ALSO POSSIBLE. TROWELLING IS PERFORMED DURING THE SECOND COAT APPLICATION.

(2.6.7) SURFACE PROTECTION

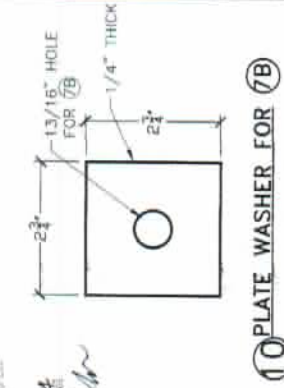
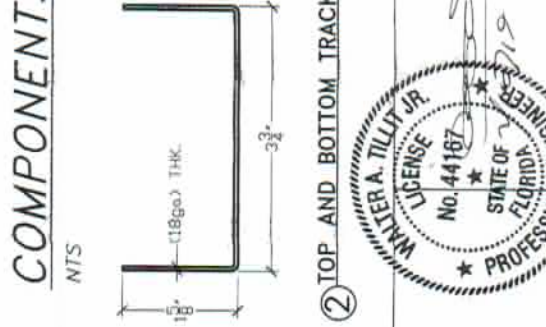
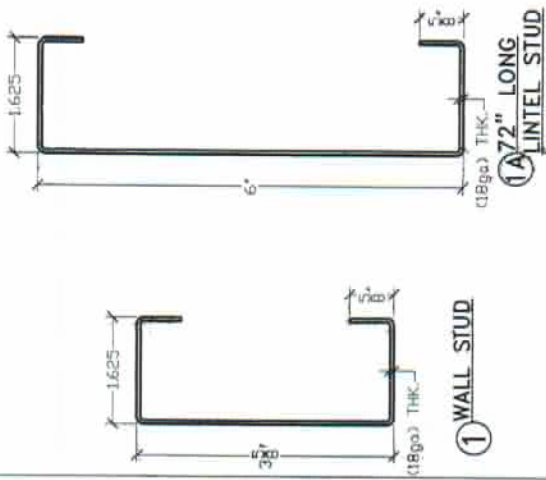
- (2.6.7.1) **EMULSIFIED WALL PAINT:** IS MOST COMMONLY USED TO SEAL, PROTECT, AND PROVIDE A CONSISTENT DECORATIVE FINISH TO CURED PLASTERMAX. BREATHABLE LATEX PRIMERS AND PAINT TYPICALLY USED FOR CONVENTIONAL PLASTERERS ARE RECOMMENDED AFTER A MINIMUM 3 DAY CURE PERIOD.
- (2.6.7.2) **SEALER:** PLASTERMAX THAT IS NOT BEING PAINTED MUST BE SEALED WITH QUALITY SILICONE SEALERS. ALWAYS TRY A SEALER. PLASTERMAX THAT IS NOT BEING PAINTED MUST BE SEALED WITH QUALITY SILICONE SEALERS. ALWAYS TRY A SEALER. PLASTERMAX THAT IS NOT BEING PAINTED MUST BE SEALED WITH QUALITY SILICONE SEALERS. ALWAYS TRY A SEALER.
- (2.6.7.3) **CLEAN UP:** FOR BOND SPRAYERS AND FINISH EQUIPMENT MUST BE THOROUGHLY WASHED IMMEDIATELY AFTER USE. POTABLE WATER IS SUFFICIENT FOR CLEANING.
- (2.6.7.4) **CURING:** APPLYING AND CURING TIMES MAY VARY WIDELY DUE TO TEMPERATURE AND HUMIDITY DIFFERENCES FROM ONE LOCATION TO ANOTHER. IT IS IMPORTANT FOR PLASTERMAX TO BE FULLY DRY BEFORE APPLYING ANY SURFACE TREATMENT OR DECORATIVE PRODUCT. QUESTIONS REGARDING DRYING AND CURING MAY BE DIRECTED TO GIGACRETE AUTHORIZED TECHNICAL ASSISTANCE REPRESENTATIVE.
- (2.6.7.5) **LIMITATIONS:**
- DO NOT OVER WET, AS THIS MAY LEAD TO PRODUCT FAILURES.
 - DO NOT TEMPER THE MATERIAL WITH ADDITIONAL ACTIVATOR AFTER INITIAL MIXING AS THIS MAY LEAD TO PRODUCT FAILURES.
 - METALLIC SURFACES SUCH FASTENERS, OTHER THAN STAINLESS STEEL OR BRASS, SHOULD NOT DIRECTLY CONTACT PLASTERMAX. SEAL ALL EXPOSED METAL SURFACES CONTACTING PLASTERMAX WITH A SUITABLE PRIMER OR OTHER ANTICORROSIVE COATING PRIOR TO PRODUCT APPLICATION OR SEPARATE BY USING PLASTIC COMPONENTS TRIM OR GAPS WITH SILICONE CAULKINGS.

Approved by: *[Signature]*
 Date: 05/30/2019
 N/A/19-0126-04
 Miami, FL
 By: *[Signature]*

 <p>60018 BILTECO, INC. FULLY TESTED & ENGINEERED COMPANY 8311 N.W. 13th Ave. - Suite 101 North Las Vegas, NV 89031 Phone: 702-636-1331 Fax: 702-636-1331 Email: info@tileco.com Website: www.tileco.com Walter A. Tiltz, P.E. Florida Lic. # 44167</p>		FLORIDA BUILDING CODE (HIGH VELOCITY HURRICANE ZONE) GigaCrete Exterior Wall Panel System <h1>GigaCrete</h1> 4500 ENGINESS WAY, SUITE 101 NORTH LAS VEGAS, NV 89031	M.F. DRAWING NO.: 1/20/19 DATE: 19-008 DRAWING NO.: 19-008 SHEET 3 OF 13
 <p>WALTER A. TILTZ JR. LICENSE No. 44167 STATE OF FLORIDA PROFESSIONAL ENGINEER</p>		P.E. SEAL/SIGNATURE/DATE MIAMI DATE: 05/15/19	

BILL OF MATERIALS

COMPONENT No.	DESCRIPTION	DIMENSIONS	MATERIAL	MANUFACTURER	NOTES
①	WALL STUD	1 5/8" X 3 5/8" X 18 GAUGE W/ 5/8" LIP	ASTM A-653 GRADE 40 G-60 GALV. STEEL	-	USE (3) EACH 48" WIDE SOLID PANEL. Fy=46.1 ksi; Fu=55.8 ksi
④	72" LONG LINTEL STUD	1 5/8" X 6" X 18 GAUGE W/ 5/8" LIP	ASTM A-653 GRADE 40 G-60 GALV. STEEL	-	USE (2) EACH 72" LONG LINTEL. Fy=46.1 ksi; Fu=55.8 ksi
②	TOP AND BOTTOM TRACKS	1 5/8" X 3 3/4" X 18 GAUGE CHANNEL	ASTM A-653 GRADE 40 G-60 GALV. STEEL	-	FIT ① TO ② TOP & BOTTOM & FASTEN W/ (2) ③ AT TOP & (2) ③ @ BOTTOM. Fy=46.1 ksi; Fu=55.8 ksi
③	FASTENER FOR ② & ①	#10-16 X 3/4" F.H. SELF DRILLING SCREW	COATED STEEL, GRADE 5	-	USE (2) EACH SIDE EACH ② TO ① @ TOP & BOTTOM
④	EXTERIOR STUCCO	1/4" THICK STUCCO MAX "	NON PORTLAND CEMENT BASED EXTERIOR WALL FINISH COATING	GIGACRETE INC.	USE W/ (1) 11 OUNCE/YD FIBERGLASS MESH AT MID-THICKNESS, APPLY OVER (6). SEE SHEET 2
⑤	INTERIOR VENEER PLASTER	3/16" THICK PLASTER MAX.	INTERIOR WALL FINISH COATING	GIGACRETE INC.	USE W/ (1) 11 OUNCE/YD FIBERGLASS MESH AT MID-THICKNESS, APPLY OVER (6). SEE SHEET 3
⑥	APPROVED INTERIOR FOAM INSULATION	6" THICK	EPS/EXPANDED POLYSTYRENE TYPE I (1 p.c.f.) DENSITY	DYPLAST PRODUCTS LLC W/NOA.	INCLUDES CUTS TO FIT ① AND ②
⑦A	ALL THREAD ANCHOR W/ SET 22" EPOXY FOR ② AT BOTTOM	3/4" X 9" ALL THREADED RODS W/ 1/8" X 1 1/2" O.D. WASHERS	GALVANIZED STEEL RODS	SIMPSON STRONG-TIE	USE AT ② @ 24" O.C EACH 48" SOLID PANEL W/ 6 3/4" MIN. EMBEDMENT & 4" EDGE DISTANCE
⑦B	ALL THREAD ANCHOR W/ SET 22" EPOXY FOR ② AT TOP AND BOTTOM	3/4" X 11" ALL THREADED RODS W/ 1/8" X 1 1/2" O.D. WASHERS	GALVANIZED STEEL RODS	SIMPSON STRONG-TIE	USE AT ② W/ 10 @ 48" O.C W/ (2) BUTT SPICED RODS W/ 4" COUPLING W/ 6 3/4" MIN. EMBEDMENT INTO CONCRETE & 4" EDGE DISTANCE
⑩	PLATE WASHER FOR ⑦B	1/4" X 2 3/4" X 2 3/4"	ASTM A-36 COATED STEEL	-	USE (2) EACH ⑦B (TOP & BOTTOM)
⑫	BOTTOM TRACK ② SEALER	1/8" THK. X 3 5/8" CONT.	FOAM/DOW GASKET	-	USE UNDER ② (BOTTOM) CONTINUOUS

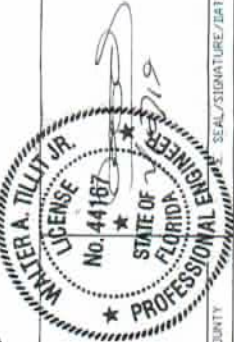


COMPONENTS

NTS

05/30/2019
19-0366.04
By: G.A. Miller

① WALL STUD
② TOP AND BOTTOM TRACKS
⑨ RACKING STRAP
⑩ PLATE WASHER FOR ⑦B



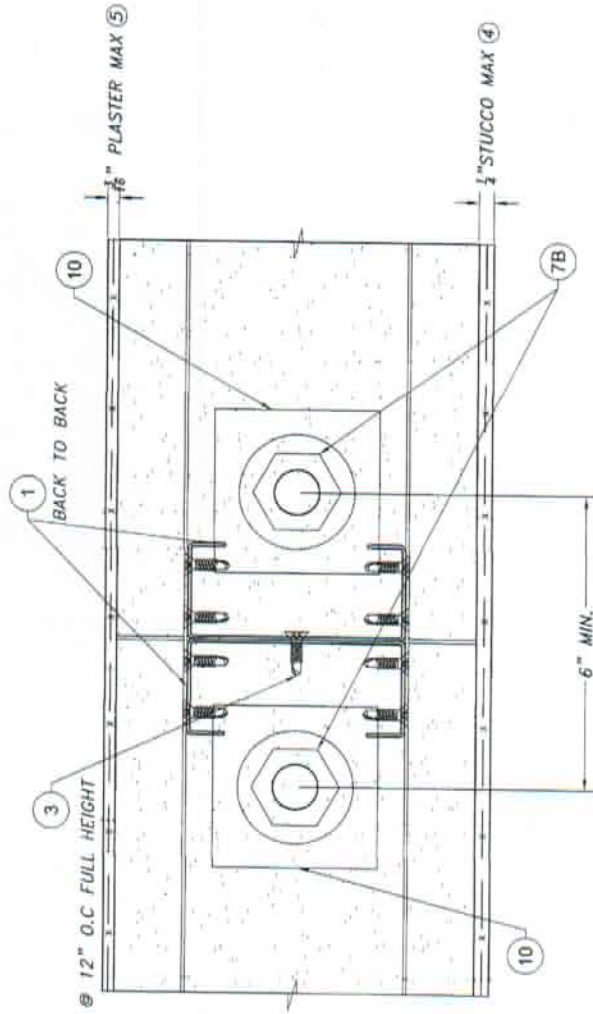
FLORIDA BUILDING CODE (HIGH VELOCITY HURRICANE ZONE)

GigaCrete Exterior Wall Panel System

TILECO INC.
62019 TILCO, INC.
MULTI TESTED & APPROVED FOR CONSTRUCTION
4200 ENGINEERS WAY, SUITE 101
NORTH LAS VEGAS, NV 89081
Phone: 702-637-1200 Fax: 702-637-1201
C-4-000015
WALTER A. TILLY JR., P.E.
FLORIDA LIC. # 44187

NO. OF APPROVED	DATE	REV. NO.	DESCRIPTION	DATE
1	-	1	-	-
2	-	2	-	-
3	-	3	-	-

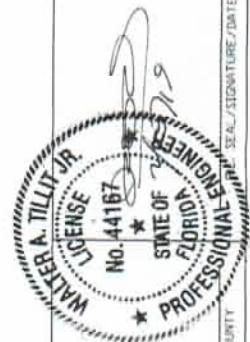
M.F.P. DRAWN BY: 1/30/19 DATE: 19-00B DRAWING NO. SHEET 4 OF 13



TYPICAL SEALING SECTION AT JOINT
BETWEEN GigaCrete PANELS

N.T.S.

Approved for submittal and with 20%
 Date: 05/26/2019
 P.C. 19-0326-04
 Milled Products, Inc.
 by: *Heidi Miller*

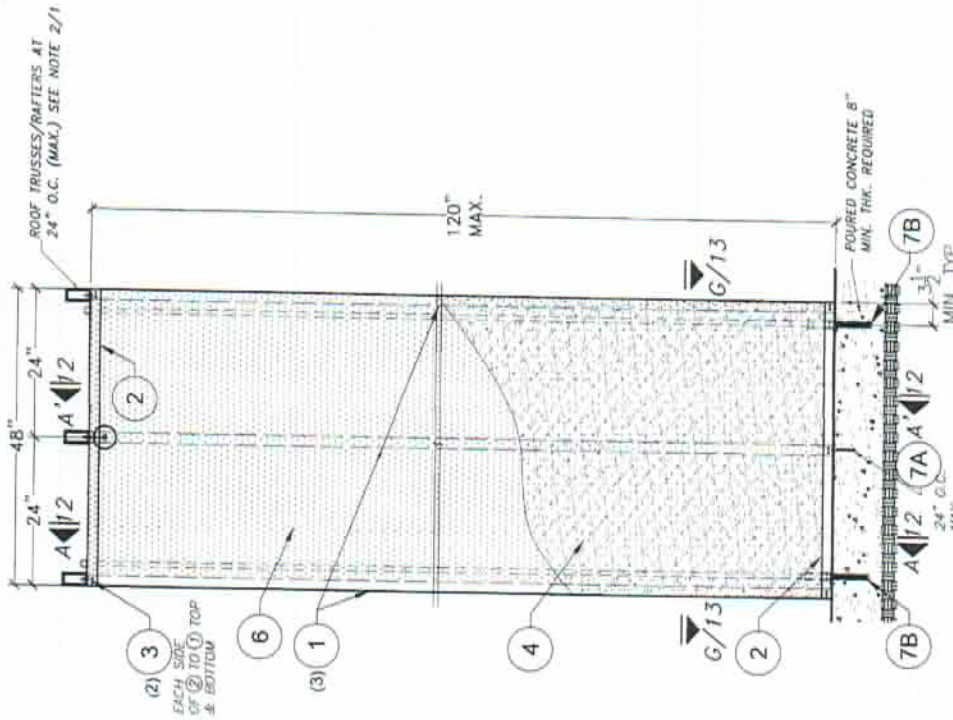


MIAMI DADE COUNTY SEAL / SIGNATURE / DATE

©2019 TILTECO, INC.
TILTECO INC.
 TILT TESTING & ENGINEERING COMPANY
 4500 N.W. 20th St., 3rd Floor, North Las Vegas, NV 89001
 Phone: (702) 251-1100
 Fax: (702) 251-1101
 CA-0000719
 REG. TO: TILLY, WALTER A. JR.
 FLORIDA U.S. # 44167

FLORIDA BUILDING CODE (HIGH VELOCITY HURRICANE ZONE)
GigaCrete Exterior Wall Panel System
GigaCrete
 4550 ENGINEERS WAY, SUITE 101
 NORTH LAS VEGAS, NV 89001

M.P.	1/26/19
DRAWN BY:	DAVE
DATE	19-008
DRAWING NO.	19-008
SHEET 3 OF 13	



05/30/2019
 19-0326-04
 By: *H.G.H.*

TYPICAL SOLID PANEL ELEVATION



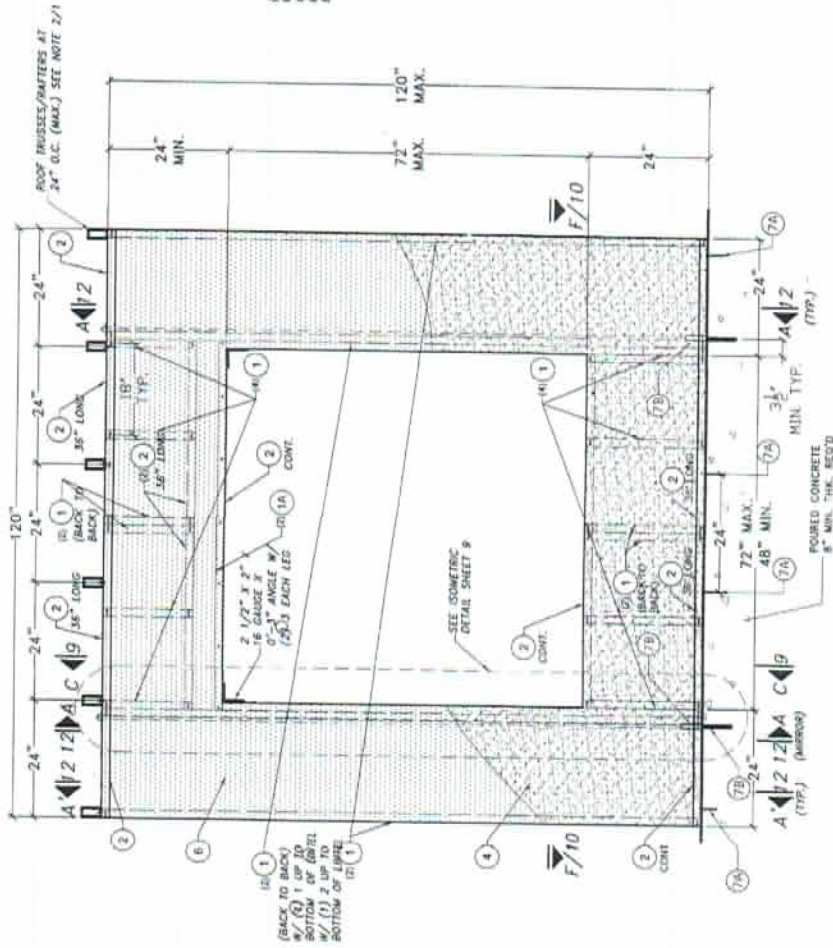
MIAMI DADE COUNTY SEAL / SIGNATURE / DATE
 1/2" = 1'-0"

82218 E. USCO, INC.
TILECO INC.
 TILIT TESTING & ENGINEERING COMPANY
 6755 N.W. 26th St., 2nd. Floor, Fort Lauderdale, FL 33309
 Phone: (754) 371-8800 Fax: (754) 371-1311
 CA-0002718
 WA-0002718
 FLORIDA LICENSE # 44167

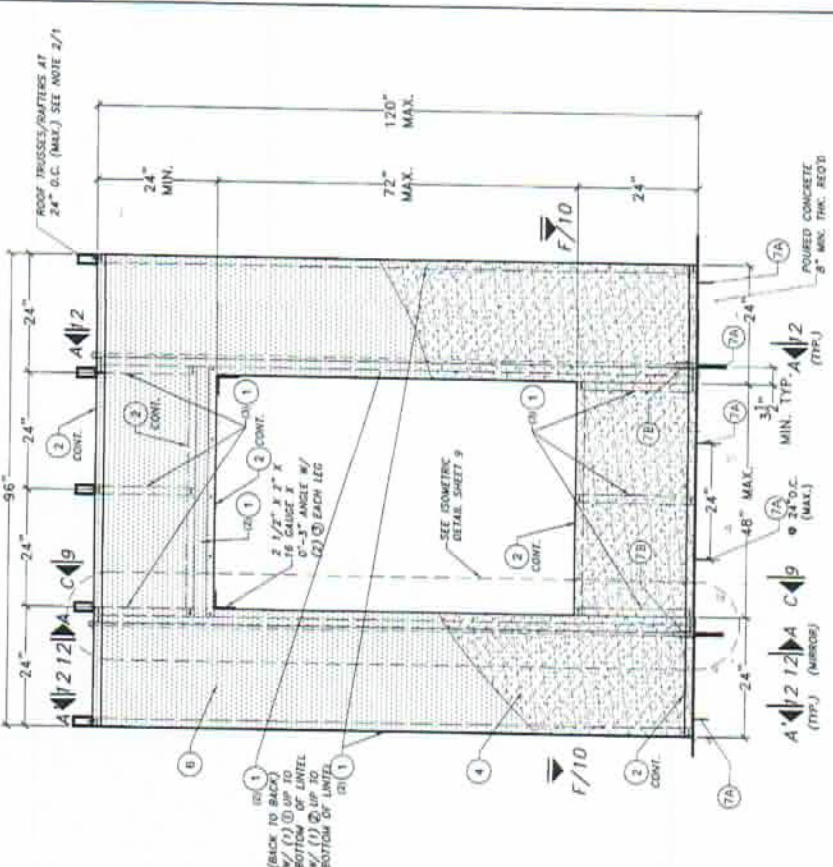
FLORIDA BUILDING CODE (HIGH VELOCITY HURRICANE ZONE)
GigaCrete Exterior Wall Panel System
GigaCrete
 4550 ENGINEERS WAY, SUITE 101
 NORTH LAS VEGAS, NV 89081

REV.	NO.	DESCRIPTION	DATE	BY	CHECKED	DATE
1	-	-	-	-	-	-
2	-	-	-	-	-	-

M.P. DRAWING BY: 1/26/19 DATE: 19-008 DRAWING NO.: SHEET 6 OF 13



72" (MAX.) x 72" (MAX.) WINDOW
 OPENING ELEVATION
 SCALE 1/2"=1'-0"



48" MAX. x 72" MAX. WINDOW
 OPENING ELEVATION
 SCALE 1/2"=1'-0"

Approved as shown by the Florida State Board of Professional Engineers
 Date: 05/30/2019
 No. 19-0326-04
 Name: WALTER A. TILIT JR.
 By: *Walter A. Tilit Jr.*

TYPICAL WINDOW PANELS



NAME GRADE COUNTY P.E. SEAL/SIGNATURE/DATE

80018 ILTECO, INC.
TILECO INC.
 TILTY TESTING & ENGINEERING COMPANY
 4500 N.W. 103rd Ave., Suite 101
 Fort Lauderdale, FL 33322-5371
 Phone: 954-347-1032 Fax: 954-347-1031
 CA-00023719
 WALTER A. TILIT JR., P.E.
 FLORIDA Lic. # 44167

FLORIDA BUILDING CODE (HIGH VELOCITY HURRICANE ZONE)

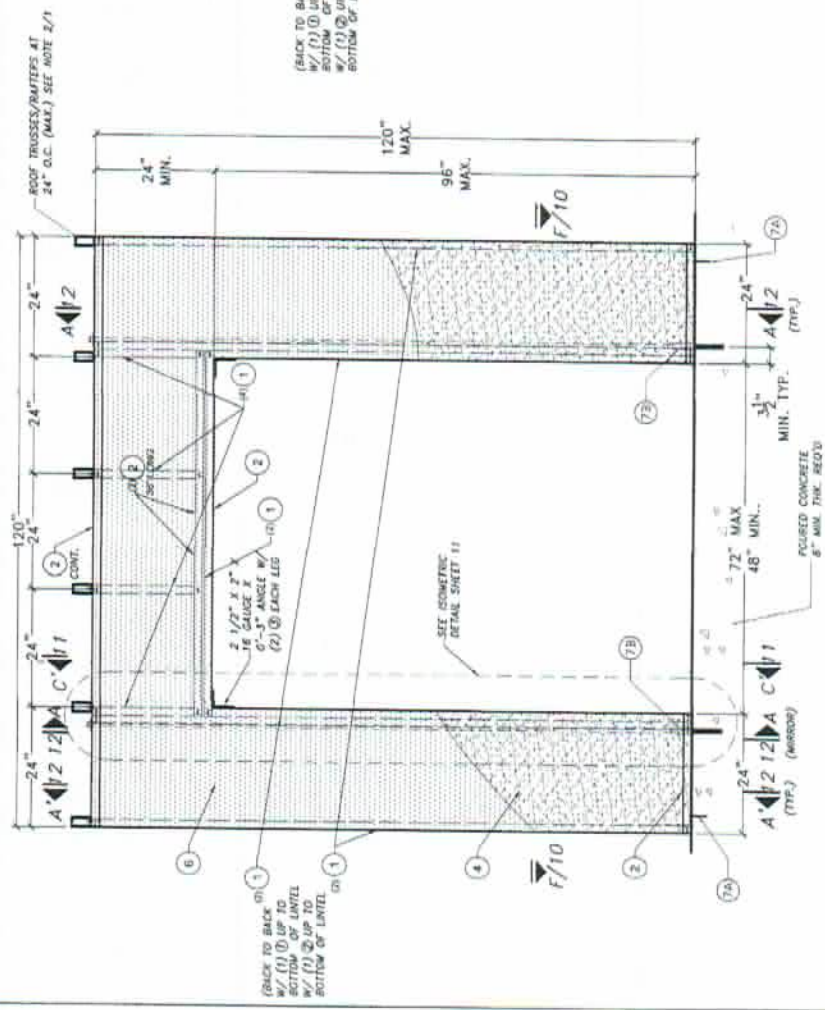
GigaCrete Exterior Wall Panel System

GigaCrete

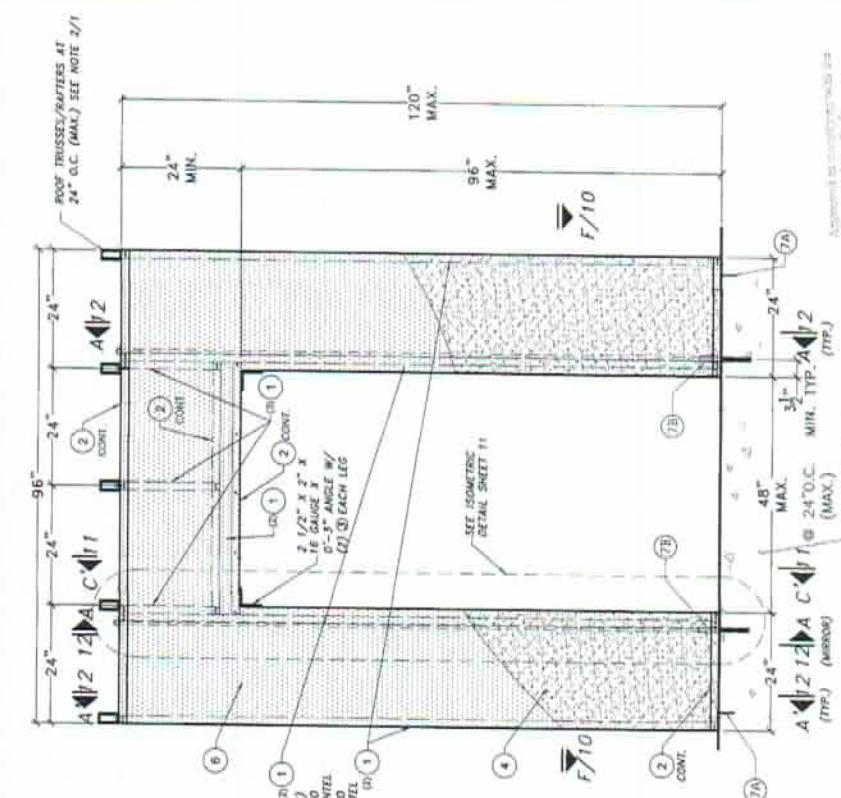
4500 ENGINEERS WAY, SUITE 101
 FORT LAUDERDALE, FL 33322
 PHONE: 954-347-1032 FAX: 954-347-1031

REV. NO.	DESCRIPTION	DATE	BY	CHKD BY
1				

DRAWING NO. 19-008
 SHEET 7 OF 13



**72" x 96" DOOR
OPENING ELEVATION**
SCALE 1/2"=1'-0"



48" x 96" DOOR OPENING ELEVATION
SCALE 1/2"=1'-0"

APPROVED FOR CONSTRUCTION BY
DATE: 05/30/19
NO. 19-0326-04
BY: *Walter A. Tillit Jr.*



TYPICAL DOOR PANELS

FLORIDA BUILDING CODE (HIGH VELOCITY HURRICANE ZONE)

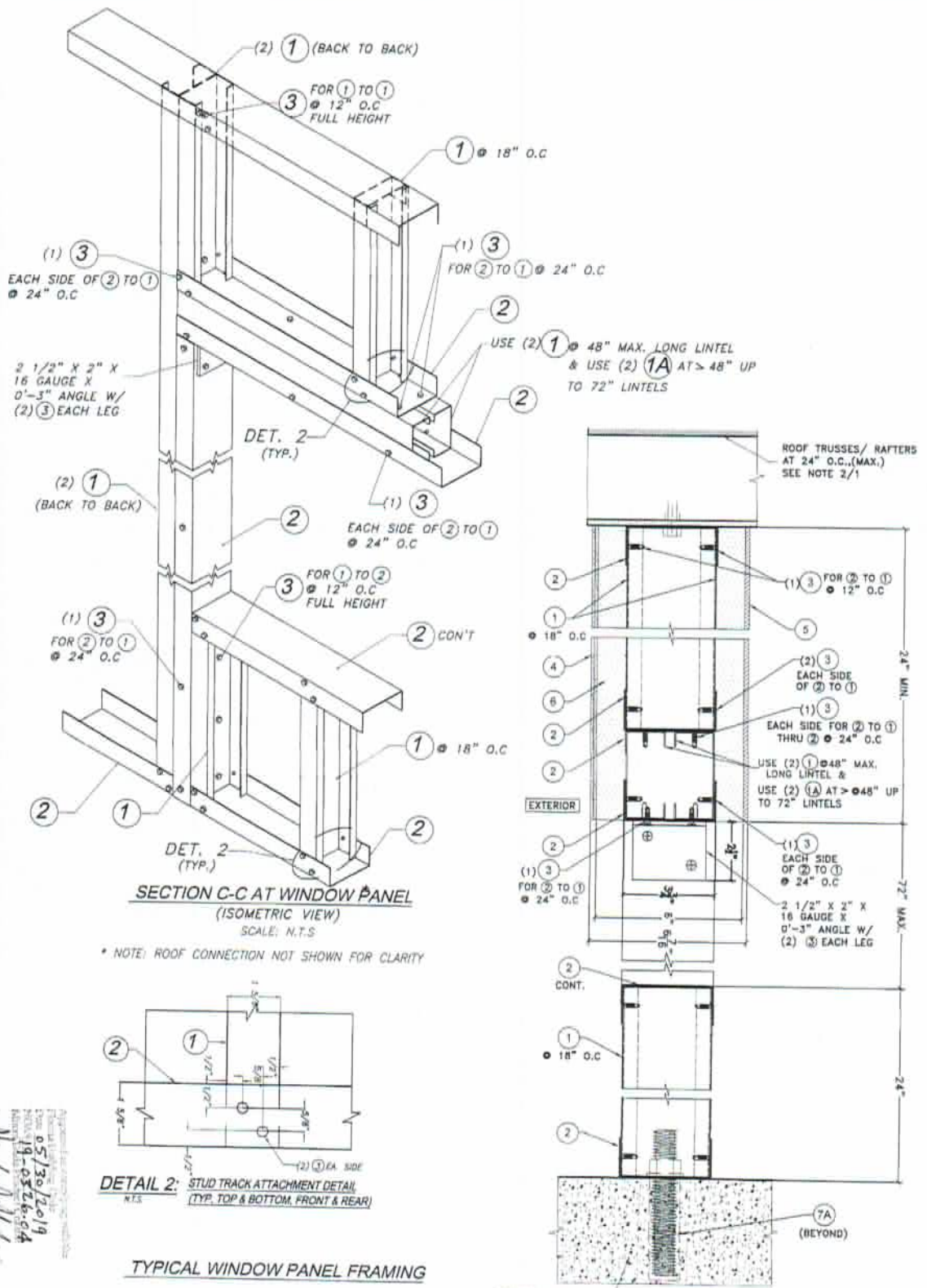
TILECO INC.
80019 BULDO, INC.
TILE TESTING & ENGINEERING COMPANY
4325 PINEAPPLE BLVD. SUITE 101
NORTH LAS VEGAS, NV 89001
CA-0000718
WALTER A. TILLIT JR., P.E.
FLORIDA LIC # 44167

GigaCrete Exterior Wall Panel System

GigaCrete
4325 PINEAPPLE BLVD. SUITE 101
NORTH LAS VEGAS, NV 89001

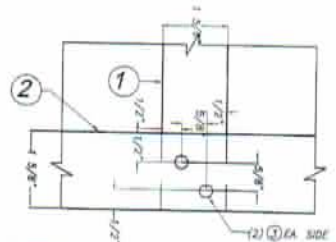
NO. OF SHEETS	DATE	BY	REVISION
8			

19-008
DRAWING NO.
SHEET 8 OF 13



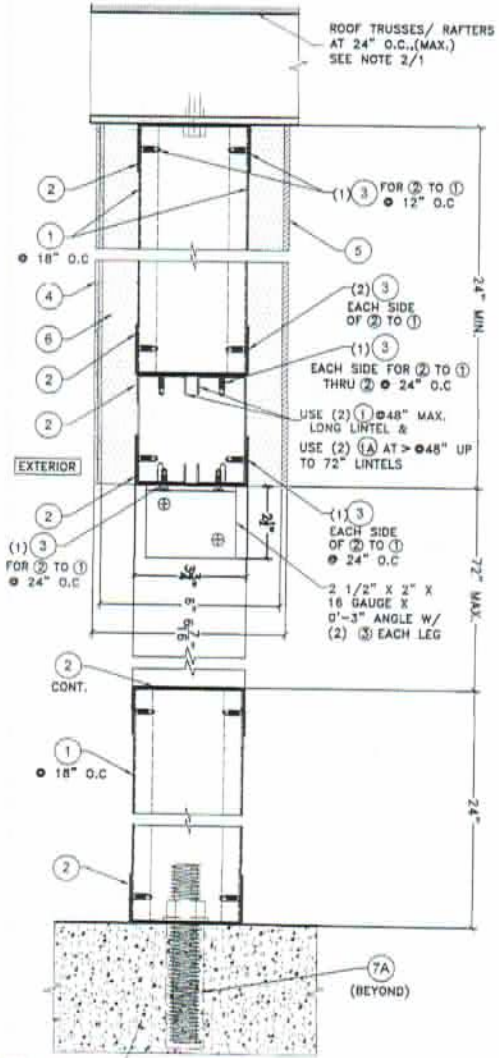
SECTION C-C AT WINDOW PANEL
(ISOMETRIC VIEW)
SCALE: N.T.S.

* NOTE: ROOF CONNECTION NOT SHOWN FOR CLARITY



DETAIL 2: STUD TRACK ATTACHMENT DETAIL
(TYP. TOP & BOTTOM, FRONT & REAR)
N.T.S.

TYPICAL WINDOW PANEL FRAMING



SECTION C-C
SCALE 1/4"=1'

By: *Walter A. Tilit Jr.*
Professional Engineer
No. 44167
State of Florida
Date: 05/30/2019
Project: 19-0526-04



SEAL/SIGNATURE/DATE

87019 TILTECO, INC.

 TILIT TESTING & ENGINEERING COMPANY
 4325 N.W. 26th St., Ste. 300, VIRGINIA GARDENS, FL 33194
 Phone: (305)971-1150 Fax: (305)971-1031
 Email: tiliteco@tiliteco.com
 CA-0006719
 WALTER A. TILIT, Jr., P.E.
 FLORIDA Lic. # 44167

FLORIDA BUILDING CODE (HIGH VELOCITY HURRICANE ZONE)
GigaCrete Exterior Wall Panel System

 4550 ENGINEERS WAY, SUITE 101
 NORTH LAS VEGAS, NV 89081

M.P. DRAWN (BY):	1/30/19
DATE:	19-008
DRAWING No.	19-008
SHEET 9 OF 13	

REV. NO.	DESCRIPTION	DATE	REV. BY	APPROVED BY	DATE
1					
2					

120" @ SEE SHEETS 7,8
 96" @ SEE SHEETS 7,8
 72" @ SEE SHEETS 7,8
 48" @ SEE SHEETS 7,8



EXTERIOR
SECTION F-F
 SCALE 1 1/2" = 1'-0"

Approved as representing with the Florida Building Code
 Date: 05/30/2019
 No. 19-0326-04
 Miami-Dade Permit Control
 By: *W. A. Tillit*



MIAMI DADE COUNTY

PE: SEAL/SIGNATURE/DATE

FLORIDA BUILDING CODE (HIGH VELOCITY HURRICANE ZONE)

GigaCrete Exterior Wall Panel System

GigaCrete
 4500 ENGINEERS WAY, SUITE 101
 NORTH LAS VEGAS, NV 89001

69019 LATEX, INC.

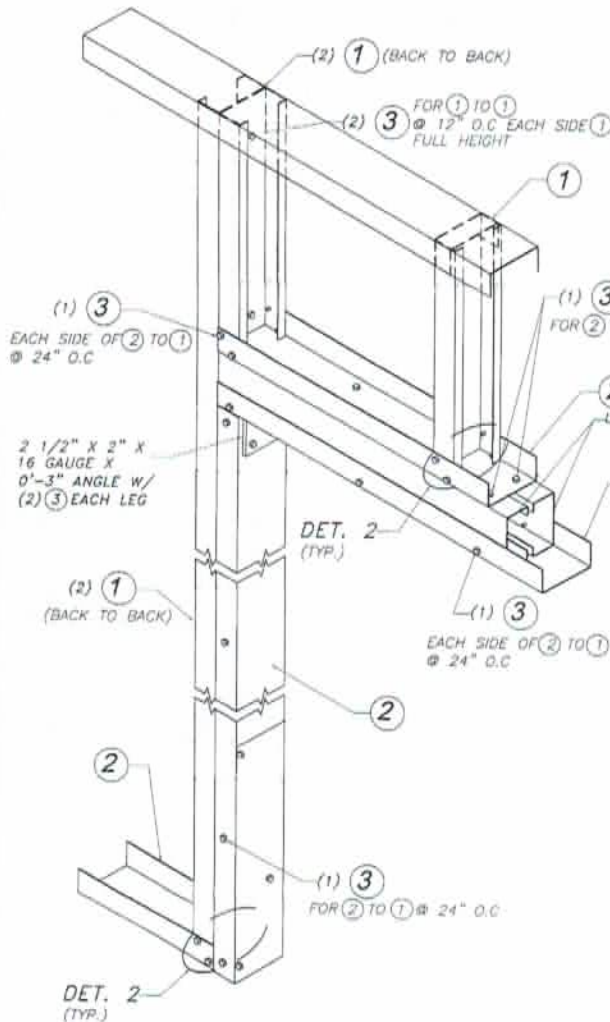
TILECO INC.
 TILLIT TESTING & ENGINEERING COMPANY
 838 PINE STREET, SUITE 100
 MIAMI, FL 33130
 WALTER A. TILLIT, P.E.
 FLORIDA LIC. # 44167

M.P.
 DRAWN BY:

1/30/18
 DATE:

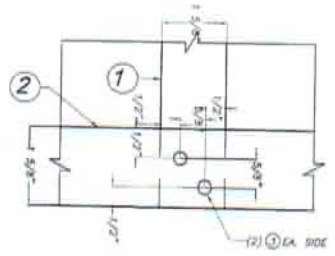
19-008
 DRAWING NO.

SHEET 10 OF 13

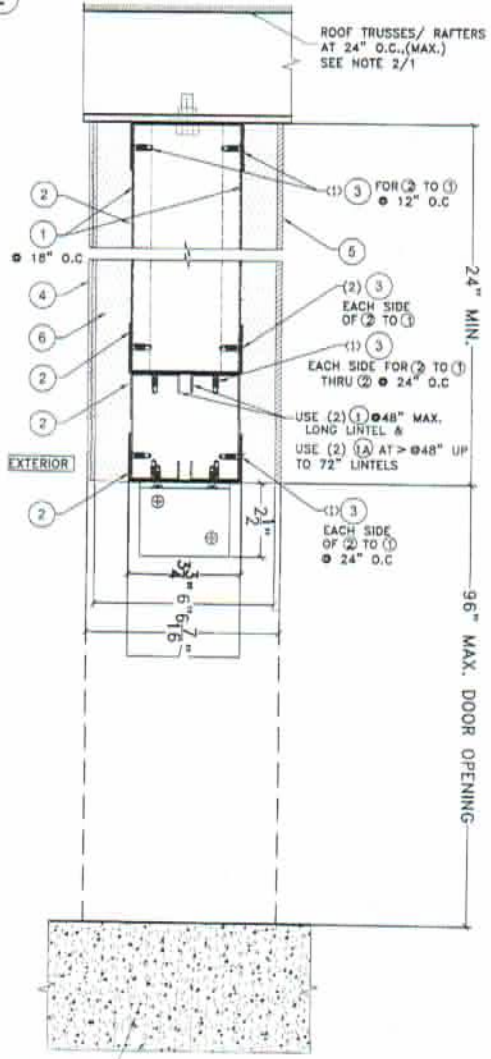


SECTION C-C AT DOOR PANEL *
(ISOMETRIC VIEW)
SCALE: N.T.S.

* NOTE: ROOF CONNECTION NOT SHOWN FOR CLARITY



DETAIL 2: STUD TRACK ATTACHMENT DETAIL
N.T.S. (TYP. TOP & BOTTOM, FRONT & REAR)



SECTION C'-C'
SCALE: 1/4"=1'

Approved for construction with this
specification by the undersigned on
Date: 05/30/19
Scale: 1/4"=1'-0"
Walter A. Tillit Jr.
Professional Engineer
No. 44167
State of Florida



MIAMI DADE COUNTY P.E. SEAL/SIGNATURE/DATE

FLORIDA BUILDING CODE (HIGH VELOCITY HURRICANE ZONE)

©2019 TILTECO, INC.

 TILLIT TESTING & ENGINEERING COMPANY
 8350 N.W. 30th St., Ste. 305, Virginia Gardens, FL 33148
 Phone: (888) 811-1231 Fax: (305) 371-1131
 e-mail: tillit@tillit.com
 CA-0000719
 WALTER A. TILLIT JR., P.E.
 FLORIDA Lic. # 44167

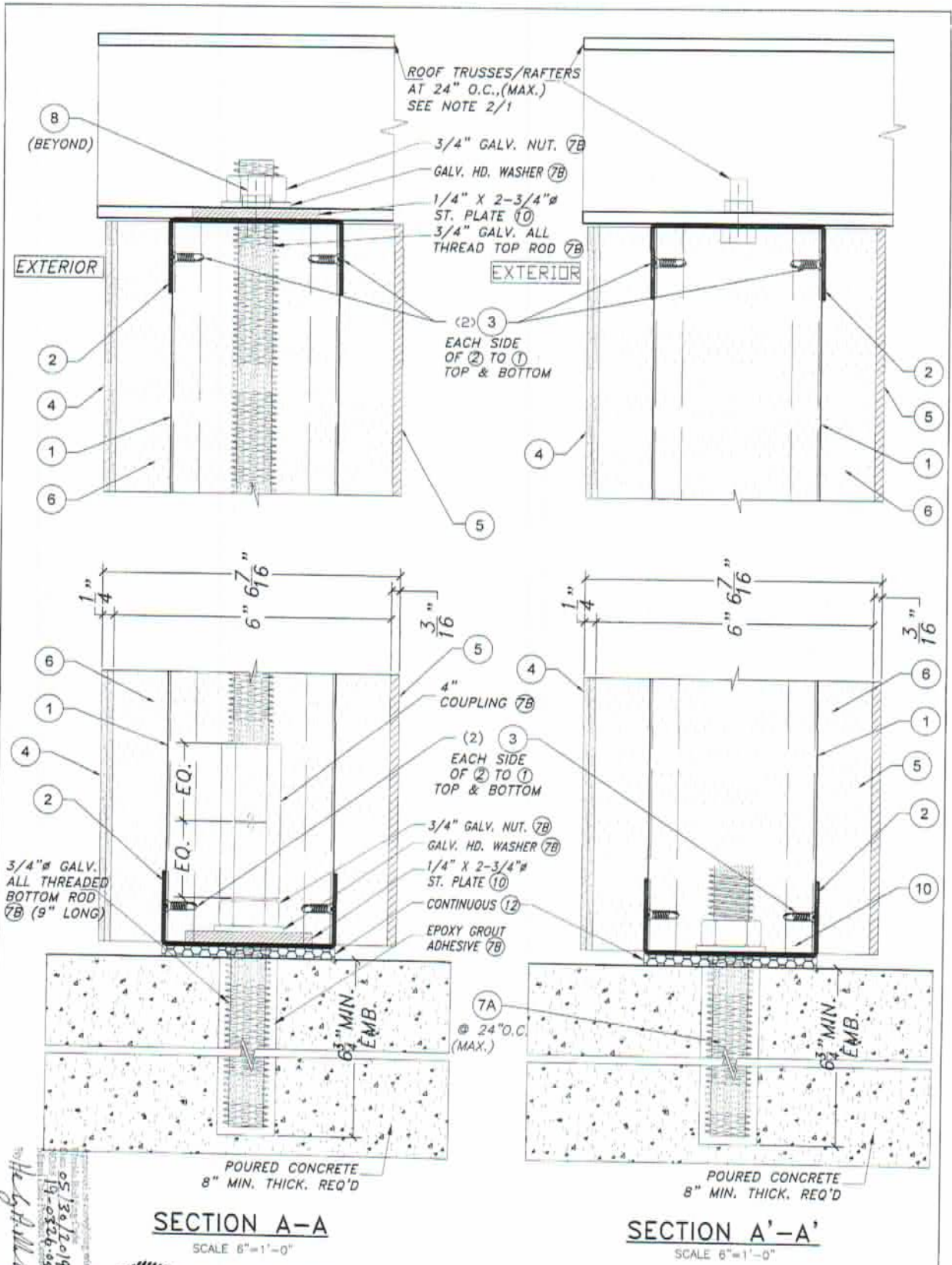
GigaCrete Exterior Wall Panel System

GigaCrete

4550 ENGINEERS WAY, SUITE 101
NORTH LAS VEGAS, NV 89081

REV. NO.	DESCRIPTION	DATE	REV. NO.	DESCRIPTION	DATE
1			1		
2			2		

M.P. DRAWN BY:	1/30/19
DATE:	19-008
DRAWING No.	SHEET 11 OF 13



W. A. Tillit Jr.
 19-008
 1/30/19



P.E. SEAL/SIGNATURE/DATE
 1/30/19

FLORIDA BUILDING CODE (HIGH VELOCITY HURRICANE ZONE)

©2019 TILTECO, INC.

TILTECO INC.

TILLIT TESTING & ENGINEERING COMPANY
 8550 S.W. 30th St., Ste. 205, VIRGINIA GARDENS, FL 33186
 Phone: (305)711-1237 Fax: (202)411-1237
 e-mail: tillit@tillit.com
 28-0000719

WALTER A. TILLIT JR. P.E.
 FLORIDA LIC. # 44167

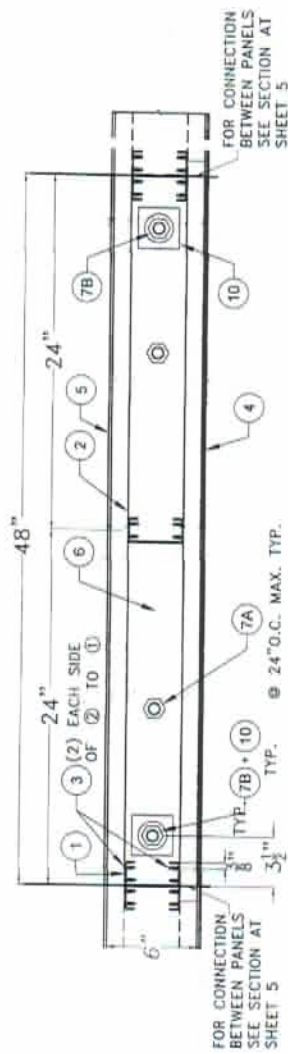
GigaCrete Exterior Wall Panel System

GigaCrete

4500 ENGINEERS WAY, SUITE 101
 NORTH LAS VEGAS, NV 89081

REV. NO.	DESCRIPTION	DATE	REV. NO.	DESCRIPTION	DATE
1			1		
2			2		

M.P.	19-008
DRAWN BY:	1/30/19
DATE:	
DRAWING No.	19-008
SHEET 12 OF 13	



SECTION G-G

Approved by engineering with the
 Florida State Board of
 Date: 05/30/2019
 NOAS: 19-0326-04
 by: *[Signature]*



MIAMI DADE COUNTY P.E. SEAL/SIGNATURE/DATE

FLORIDA BUILDING CODE (HIGH VELOCITY HURRICANE ZONE)

GigaCrete Exterior Wall Panel System

GigaCrete

4200 ENGINEERS WAY, SUITE 101
 NORTH LAS VEGAS, NV 89081

©2019 TILTECO, INC.
TILTECO INC.
 TILT TESTING & ENGINEERING COMPANY
 8333 N.W. 24th St., 2nd. FL. MIAMI GARDENS, FL 33146
 Phone: 754-881-1313 Fax: 754-881-1311
 CA-00002719
 WALTER A. TILLITT, JR.
 FLORIDA LIC # 44167

REV. NO.	DESCRIPTION	DATE	REV. NO.	DESCRIPTION	DATE
1			1		
2			2		

M.P. DRAWING NO. 19-008
 DATE: 1/26/19
 SHEET 13 OF 13