



DEPARTMENT OF REGULATORY AND ECONOMIC RESOURCES  
BOARD AND CODE ADMINISTRATION DIVISION

MIAMI-DADE COUNTY  
PRODUCT CONTROL SECTION

11805 SW 26 Street, Room 208  
Miami, Florida 33175-2474  
T (786) 315-2590 F (786) 315-2599

[www.miamidade.gov/economy](http://www.miamidade.gov/economy)

**NOTICE OF ACCEPTANCE (NOA)**

**GigaCrete, Inc.**  
4550 Engineers Way, Suite #101  
North Las Vegas, NV 89081

**SCOPE:**

This NOA is being issued under the applicable rules and regulations governing the use of construction materials. The documentation submitted has been reviewed and accepted by Miami-Dade County RER-Product Control Section to be used in Miami Dade County and other areas where allowed by the Authority Having Jurisdiction (AHJ).

This NOA shall not be valid after the expiration date stated below. The Miami-Dade County Product Control Section (In Miami Dade County) and/or the AHJ (in areas other than Miami Dade County) reserve the right to have this product or material tested for quality assurance purposes. If this product or material fails to perform in the accepted manner, the manufacturer will incur the expense of such testing and the AHJ may immediately revoke, modify, or suspend the use of such product or material within their jurisdiction. RER reserves the right to revoke this acceptance if it is determined by Miami-Dade County Product Control Section that this product or material fails to meet the requirements of the applicable building code.

This product is approved as described herein and has been designed to comply with the High Velocity Hurricane Zone of the Florida Building Code.

**DESCRIPTION: GigaCrete Exterior Wall Panel System**

**APPROVAL DOCUMENT:** Drawing No. 24-056, titled "GigaCrete Exterior Wall Panel System", sheets 1 through 13 of 13, prepared by Tilteco, Inc., dated May 21, 2024, signed and sealed by Walter A. Tillit Jr., P.E., on May 29, 2024 bearing the Miami-Dade County Product Control Revision stamp with the Notice of Acceptance number and the expiration date by the Miami-Dade County Product Control Section.

**MISSILE IMPACT RATING: Large and Small Missile Impact Resistant**

**LABELING:** Each panel shall bear a permanent label with the manufacturer's name or logo, city, state and the following statement: "Miami-Dade County Product Control Approved", unless otherwise noted herein.

**RENEWAL** of this NOA shall be considered after a renewal application has been filed and there has been no change in the applicable building code negatively affecting the performance of this product.

**TERMINATION** of this NOA will occur after the expiration date or if there has been a revision or change in the materials, use, and/or manufacture of the product or process. Misuse of this NOA as an endorsement of any product, for sales, advertising or any other purposes shall automatically terminate this NOA. Failure to comply with any section of this NOA shall be cause for termination and removal of NOA.

**ADVERTISEMENT:** The NOA number preceded by the words Miami-Dade County, Florida, and followed by the expiration date may be displayed in advertising literature. If any portion of the NOA is displayed, then it shall be done in its entirety.

**INSPECTION:** A copy of this entire NOA shall be provided to the user by the manufacturer or its distributors and shall be available for inspection at the job site at the request of the Building Official.

This NOA **revises and renews** NOA #20-0922.04 and consists of this page 1, evidence submitted pages E-1 and E-2 as well as approval document mentioned above.

The submitted documentation was reviewed by **Helmy A. Makar, P.E., M.S.**



*Helmy A. Makar*  
06/27/24

NOA No. 24-0104.02  
Expiration Date: 05/30/2029  
Approval Date: 06/27/2024

**NOTICE OF ACCEPTANCE: EVIDENCE SUBMITTED**

**1. EVIDENCE SUBMITTED UNDER PREVIOUS APPROVAL # 19-0326.04**

**A. DRAWINGS**

1. *Drawing No. 19-008, titled "GigaCrete Exterior Wall Panel System", sheets 1 through 13 of 13, prepared by Tilteco, Inc., dated January 30, 2019, signed and sealed by Walter A. Tillit Jr., P.E., on February 15, 2019.*

**B. TEST**

1. *Test report on Large Missile Impact test per TAS 201, Cyclic Wind Pressure test per TAS 203 and Uniform Static Air Pressure test and Air & Water Infiltration tests per TAS 202 and ASTM E 72-98 on Composite Wall Panels over Galvanized Steel Studs, prepared by Blackwater Testing, Inc., report No. BT-GIC-18-002, dated 02/11/2019, signed and sealed by Constantin Bortes, P.E.*
2. *Test report on Heat Release and Flame Spread on Composite Wall Panels over Galvanized Steel Studs, prepared by Intertek, report No. G100017878COQ-004 rev 1, dated 05/18/10, revised on 06/07/10, signed by Greg Philp.*

**C. CALCULATIONS**

1. *Panel allowable calculation and Anchors' verification prepared by Walter A. Tillit Jr., P.E. dated 02/08/2019, signed and sealed by Walter A Tillit Jr., PE.*

**D. QUALITY ASSURANCE**

1. *By Miami-Dade County Department of Regulatory and Economic Resources (RER).*

**E. MATERIAL CERTIFICATION**

1. *Copy of N.O.A. # 17-1207.05.*

**F. OTHERS**

1. *Florida Building Code, 2017 Edition Compliance letter, issued by Tilteco, Inc., dated February 04, 2019, signed and sealed by Walter A. Tillit Jr., P.E.*

**2. EVIDENCE SUBMITTED UNDER PREVIOUS APPROVAL #20-0922.04**

**A. DRAWINGS**

1. *Drawing No. 19-008, titled "GigaCrete Exterior Wall Panel System", sheets 1 through 13 of 13, prepared by Tilteco, Inc., dated January 30, 2019, signed and sealed by Walter A. Tillit Jr., P.E., on February 15, 2019.*

**B. TEST**

1. *None.*

**C. CALCULATIONS**

1. *None.*



Helmy A. Makar, P.E., M.S.  
Product Control Section Supervisor

NOA No. 24-0104.02

Expiration Date: 05/30/2029

Approval Date: 06/27/2024

**GigaCrete, Inc.**

**NOTICE OF ACCEPTANCE: EVIDENCE SUBMITTED**

**D. QUALITY ASSURANCE**

1. *By Miami-Dade County Department of Regulatory and Economic Resources (RER).*

**E. MATERIAL CERTIFICATION**

1. *Copy of N.O.A. # 17-1207.05.*

**F. OTHERS**

1. *Florida Building Code, 2017 Edition and 2020 Edition Compliance letter, issued by Tilteco, Inc., dated August 19, 2020, signed & sealed by Walter A. Tillit Jr., P.E.*

**3. NEW EVIDENCE SUBMITTED**

**A. DRAWINGS**

1. *Drawing No. 24-056, titled "GigaCrete Exterior Wall Panel System", sheets 1 through 13 of 13, prepared by Tilteco, Inc., dated May 21, 2024, signed and sealed by Walter A. Tillit Jr., P.E., on May 29, 2024.*

**B. TEST**

1. *None.*

**C. CALCULATIONS**

1. *None.*

**D. QUALITY ASSURANCE**

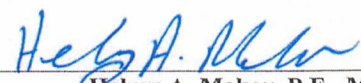
1. *By Miami-Dade County Department of Regulatory and Economic Resources (RER).*

**E. MATERIAL CERTIFICATION**

1. *Copy of N.O.A. # 17-1207.05.*

**F. OTHERS**

1. *Florida Building Code, 2023 Edition Compliance letter, issued by Tilteco, Inc., dated May 21, 2024, signed & sealed by Walter A. Tillit Jr., P.E.*



Helmy A. Makar, P.E., M.S.  
Product Control Section Supervisor  
NOA No. 24-0104.02  
Expiration Date: 05/30/2029  
Approval Date: 06/27/2024

**GENERAL NOTES:**

1. THIS PRODUCT APPROVAL DOCUMENT (P.A.D.) APPLIES ONLY TO THE WALL PANEL SYSTEM INDICATED AND SPECIFIED ON THIS DRAWING, AND HAS BEEN VERIFIED FOR COMPLIANCE IN ACCORDANCE WITH THE 2023 (8th EDITION) OF THE FLORIDA BUILDING CODE.  
DESIGN WIND LOADS TO OBTAIN A BUILDING PERMIT SHALL BE DETERMINED AS PER SECTION 1620 OF THE ABOVE MENTIONED CODE, USING ASCE 7-22 AND SHALL NOT EXCEED THE MAXIMUM (A.S.D.) DESIGN PRESSURE RATINGS INDICATED ON THIS SHEET.  
IN ORDER TO VERIFY THE ABOVE CONDITION, ULTIMATE DESIGN WIND LOADS DETERMINED PER ASCE 7-22 SHALL BE FIRST REDUCED TO A.S.D. DESIGN WIND LOADS BY MULTIPLYING THEM BY 0.6 IN ORDER TO COMPARE THESE W/ MAX. (A.S.D.) DESIGN PRESSURE RATINGS INDICATED ON THIS SHEET.  
DESIGN DEAD AND LIVE LOADS SHALL BE DETERMINED IN ACCORDANCE WITH SECTION 1607 OF THE FLORIDA BUILDING CODE, AND AS PER ASCE 7-22 STANDARD.
2. BUILDING DIMENSIONS, DETAILS, UPLIFT, OVERTURNING, FOUNDATION, ROOF AND OTHER ELEMENTS WHERE WALL PANELS WILL BE INSTALLED SHALL BE DESIGNED BY A FLORIDA REGISTERED PROFESSIONAL ENGINEER OR ARCHITECT AND REVIEWED BY THE STRUCTURAL PLANS EXAMINER OF THE CORRESPONDING BUILDING DEPARTMENT IN ORDER TO ISSUE A PERMIT FOR CONSTRUCTION.
3. ALL ELECTRICAL, MECHANICAL DETAILS AND PARTS AND FIRE RATING PROVISIONS ARE NOT PART OF THIS APPROVAL AND SHALL BE PREPARED BY A FLORIDA REGISTERED PROFESSIONAL ENGINEER AND REVIEWED BY THE CORRESPONDING BUILDING DEPARTMENT IN ORDER TO ISSUE A PERMIT FOR CONSTRUCTION.
4. THIS PRODUCT COMPLIES WITH SECTIONS 2603.3, 2603.4 & 2603.9 OF THE FLORIDA BUILDING CODE.
5. ALL SCREWS SHALL BE CORROSION RESISTANT AS PER DIN 50018 WITH MIN. Fy=92 Ksi AND Fu=120 Ksi & SHALL COMPLY W/ FLORIDA BUILDING CODE SECTION 2411.3.3.4.
6. ANCHORS TO CONCRETE FLOOR & FOUNDATION SHALL BE AS FOLLOWS:  
 (A) COMPONENT # (7A)  
 3/4" x 9" GALVANIZED STEEL ALL THREADED ROD WITH 1/8" x 1-1/2" OD WASHERS AS SHOWN ON ELEVATIONS SHEETS 6, 7 & 8. USE 6 3/4" MINIMUM EMBEDMENT & 4" MINIMUM EDGE DISTANCE. USE WITH SIMPSON'S STRONG TIE "SET 22" EPOXY ADHESIVE. SEE BILL OF MATERIALS ON SHEET 4.  
 (B) COMPONENT # (7B)  
 3/4" x 9" + 4 COUPLING + 3/4" (REMAINING WALL HEIGHT) GALVANIZED STEEL ALL THREADED ROD WITH 1/8" x 1-1/2" OD WASHERS, AS SHOWN ON ELEVATIONS SHEETS 6, 7 & 8. USE 6 3/4" MINIMUM EMBEDMENT & 4" MINIMUM EDGE DISTANCE. USE WITH SIMPSON'S STRONG TIE "SET 22" EPOXY ADHESIVE. SEE BILL OF MATERIALS ON SHEET 4.  
 NOTE: TO VERIFY THAT ANCHORS ARE NOT OVERSTRESSED IN THESE PRODUCT APPROVAL DOCUMENTS (P.A.D.), A 33% IN ALLOWABLE LOADS WAS NOT USE IN THE ANCHORS ANALYSIS.
7. WALL PANEL SYSTEM IS DESIGNED TO BE INSTALLED AS AN EXTERIOR ONE STORY STRUCTURE BEARING WALL OR CURTAIN WALL:  
 - WHEN INSTALLED AS A BEARING WALL, PANEL SHALL BE LATERALLY SUPPORTED BY A CONCRETE SLAB AND FOUNDATION AT THE BOTTOM, AND ROOF TRUSSES OR RAFTERS WITH SHEATHING AT TOP, AT A SPACINGS NOT TO EXCEED 24" ON CENTERS. WALL CONNECTION TO ROOF SYSTEM SHALL BE PERFORMED BY A FLORIDA REGISTERED PROFESSIONAL ENGINEER OR ARCHITECT AND REVIEWED BY THE STRUCTURAL PLANS EXAMINER OF THE CORRESPONDING BUILDING DEPARTMENT IN ORDER TO ISSUE A PERMIT FOR CONSTRUCTION. STRUCTURAL DESIGN SHALL INCLUDE PROVISIONS FOR ALL LOADS DEVELOPED AT THE JOINT BETWEEN WALL PANELS AND ROOF SYSTEM.

- WHEN INSTALLED AS A CURTAIN WALL, PANEL SHALL BE LATERALLY SUPPORTED BY CONCRETE SLABS/BEAMS, WOOD OR STEEL STRUCTURAL BEAMS. SPACING BETWEEN LATERAL SUPPORT SHALL NOT EXCEED 24" ON CENTERS ON BUILDINGS WITHOUT A CONCRETE SLAB AT TOP.  
STRUCTURAL ADEQUACY OF EXISTING BUILDING SHALL BE VERIFIED BY THE PERMIT HOLDER.

MAXIMUM A.S.D. ALLOWABLE: OBTAINED THRU TESTING PERFORMED AS PER TAS 201, 202, 203 AND ASTM E-72, AS PER BLACKWATER TESTING INC. REPORT # BT-GIC-18-002  
LARGE MISSILE IMPACT RESISTANT: 50 FT/SEC. MISSILE SPEED.

MAXIMUM PANEL HEIGHT: 120"  
MAXIMUM PANEL WIDTH: 48"  
MAXIMUM A.S.D. COMPRESSION LOAD PER 4' PANEL: 3734 Lb (934 Lb/FT) \*  
MAXIMUM A.S.D. TENSION LOAD PER 4' PANEL: 2600 Lb (934 Lb/FT) \*  
MAXIMUM A.S.D. RACKING LOAD PER 4' PANEL: 2200 Lb (584 Lb/FT) \*  
MAXIMUM LATERAL A.S.D. DESIGN PRESSURE RATING FOR PANELS WITH STUDS @ 24" o.c.: ±100.0 psf

\* ONLY SOLID PANELS (WITH NO OPENINGS) SHALL BE CONSIDERED TO RESIST THE RACKING FORCES, COMPRESSION AND TENSION LOADS.

8. ELECTRIC SERVICE DROP CONDUCTORS OR ANY OVERHEAD WIRING SHALL NOT EXIST OR BE INSTALLED OVER ANY PART OF THIS STRUCTURE.

9. (c) THIS P.A.D. PREPARED BY THIS ENGINEER IS GENERIC AND DOES NOT PROVIDE INFORMATION FOR A SITE SPECIFIC PROJECT; i.e. WHERE THE SITE CONDITIONS DEVIATE FROM THE P.A.D.

(b) CONTRACTOR TO BE RESPONSIBLE FOR THE SELECTION, PURCHASE AND INSTALLATION INCLUDING LIFE SAFETY OF THIS PRODUCT BASED ON THIS P.A.D. PROVIDED HE/SHE DOES NOT DEVIATE FROM THE CONDITIONS DETAILED ON THIS DOCUMENT. CONSTRUCTION SAFETY AT SITE IS THE CONTRACTOR'S RESPONSIBILITY.

(c) THIS P.A.D. WILL BE CONSIDERED INVALID IF MODIFIED.

(d) SITE SPECIFIC PROJECTS SHALL BE PREPARED BY A FLORIDA REGISTERED ENGINEER OR ARCHITECT WHICH WILL BECOME THE PROFESSIONAL OF RECORD (P.O.R.) FOR THE PROJECT AND WHO WILL BE RESPONSIBLE FOR THE PROPER USE OF THE P.A.D. PROFESSIONAL OF RECORD, ACTING AS A DELEGATED ENGINEER TO THE P.A.D. ENGINEER SHALL SUBMIT TO THIS LATTER THE SITE SPECIFIC DRAWINGS FOR REVIEW.

(e) ORIGINAL P.A.D. SHALL BEAR THE DATE AND ORIGINAL SEAL AND SIGNATURE OF THE PROFESSIONAL ENGINEER THAT PREPARED IT.

10. A PERMANENT PANEL MANUFACTURER'S LABEL SHALL BE PLACED ON THE EXPOSED SURFACE OF THE PANEL. ONE LABEL SHALL BE PLACED FOR EVERY PANEL. LABEL SHALL COMPLY WITH SECTION 1703.5 OF THE FLORIDA BUILDING CODE.

**THIS DRAWING SHALL ONLY BE USED TO OBTAIN PERMITS IN THE STATE OF FLORIDA**



PRODUCT REVISED as complying with the Florida Building Code  
 Acceptance No. 24-0104-02  
 Expiration Date 05/03/2029  
 By: [Signature]  
 Building Products Control

MIAMI DADE COUNTY

P.E. SEAL/SIGNATURE/DATE

FLORIDA BUILDING CODE (HIGH VELOCITY HURRICANE ZONE)

**GigaCrete Exterior Wall Panel System**

**GigaCrete**

4500 ENGINEERS WAY, SUITE 101  
 NORTH LAS VEGAS, NV 89081

WALTER A. TILLIT JR., P.E.  
 FLORIDA Lic. # 44167

REV. NO.	DESCRIPTION	DATE	BY	CHK.
1	OLD 20-208	05/21/2024		
2				

W.H. DRAWN BY: 05/21/2024 DATE:  
 24-056 DRAWING NO.  
 SHEET 1 OF 13

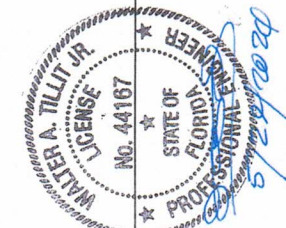
**SPECIFICATIONS & APPLICATION SEQUENCE FOR STUCCO MAX ON WALL PANELS  
MANUFACTURED BY GIGACRETE, INC.**

- (1) **STUCCO MAX: EXTERIOR ONE COAT STUCCO OVER EPS FOAM**
- (1.1) **DESCRIPTION:** STUCCO MAX IS A TRULY GREEN NON PORTLAND CEMENT BASE EXTERIOR WALL FINISH COATING. ITS HIGH EARLY STRENGTH IS ACHIEVED IN LESS THAN 24 HOURS AND FAST SETTING QUALITIES ENABLE THE FINISH TO BE APPLIED WITHIN A SINGLE WORK DAY. STUCCO MAX UTILIZES FIBERGLASS MESH TO FURTHER ENHANCE ITS INHERENT ABUSE RESISTANT QUALITIES IN THIN APPLICATIONS.
- (1.2) **USES:** STUCCO MAX IS APPLIED TO EXTERIOR WALLS IN RESIDENTIAL, COMMERCIAL AND INDUSTRIAL INSULATED CONCRETE CONSTRUCTION (ICF) AND OTHER BUILDING SYSTEMS THAT UTILIZE EXPANDED POLYSTYRENE (EPS). STUCCO MAX IS ALSO USED AS A WATERPROOF BARRIER. THE PRODUCT CAN BE PAINTED OR STAINED. FINISHED IN NUMEROUS TEXTURES. INTEGRAL COLORS ARE NO YET AVAILABLE.
- (1.3) **ADVANTAGES:** STUCCO MAX SETS AND CURES IN A FRACTION OF THE TIME OF CONVENTIONAL PORTLAND CEMENT PRODUCTS PROVIDING QUICK JOB TURN AROUND.
- (1.4) **JOB SITE CONDITIONS**
- (1.4.1) **WEATHER:** STUCCO MAX SHALL BE APPLIED IN AMBIENT AIR TEMPERATURES ABOVE 32°F AND REMAIN ABOVE 32°F FOR A 24 HOUR PERIOD. AVOID INSTALLING IN EXCESSIVE HEAT ABOVE 85°F UNLESS PRECAUTIONS ARE MADE TO AVOID RAPID HYDRATION. DO NOT APPLY STUCCO MAX DURING INCLEMENT WEATHER OR WHEN INCLEMENT WEATHER IS INEVITABLE UNLESS APPROPRIATE WEATHER PROTECTION IS USED.
- (1.4.2) **DIRECT SUNLIGHT:** WHENEVER POSSIBLE, AVOID INSTALLING STUCCO MAX IN DIRECT SUNLIGHT. DIRECT SUNLIGHT REDUCES WORKING TIME AND MAY PROMOTE PREMATURE SURFACE HYDRATION. SHADE THE WORK AREA IF NECESSARY TO AVOID SUN/SHADE LINES FROM THE COATING ITSELF. MISTING THE WORK AREA IN DRY CONDITIONS WILL INCREASE THE RELATIVE HUMIDITY (35% MINIMUM) AND HELP THE MATERIALS FROM PREMATURE HYDRATION. WET CURING FOR AT LEAST 3 HOURS IS RECOMMENDED AND MAINTAIN 35% MINIMUM RELATIVE HUMIDITY FOR 24 HOURS.
- (1.5) **ACCESSORIES AND RELATED MATERIALS**
- (1.5.1) **SEALANTS:** PERIMETER SEALS AROUND WINDOW AND DOOR FRAMES AND ALL OTHER THROUGH WALL PENETRATIONS SHALL BE DESIGNED FOR 50% ELONGATION AND MINIMUM 25% COMPRESSION. APPROPRIATE SEALANT SHALL BE SELECTED BY THE ARCHITECT.
- (1.5.2) **PERIMETER SEAL JOINTS** SHALL BE A MINIMUM WIDTH OF 1/4" AND UTILIZE A CLOSED-CELL POLYURETHANE FOAM BACKER ROD. JOINT DESIGN AND ASSOCIATED PREPARATION SHALL BE BASED UPON THE SEALANT MANUFACTURE'S RECOMMENDATION.
- (1.5.3) **FLASHINGS:** FLASHING AROUND WINDOWS, DOORS CHIMNEYS, TRANSITIONS BETWEEN WALLS AND ROOF AND AT OTHER POINTS INFILTRATION BEHIND THE STUCCO MAX SYSTEM.
- (1.5.4) **JOINTS:** EXPANSION JOINTS ARE INSTALLED AT ALL AREAS WHERE MOVEMENT IS ANTICIPATED AND AT ALL BUILDING STRUCTURAL BRAKES. JOINT PLACEMENT SHALL BE SPECIFIED BY THE ARCHITECT AND SHOULD FOLLOW STANDARD PLASTER/STUCCO PRACTICES.
- (1.6) **SUBSTRATE PREPARATION**
- (1.6.1) **ALL FORMS:** RASING IS NECESSARY TO REMOVE POTENTIAL BOND BREAKERS, AND TO ENSURE GOOD ADHESION. SURVEY THE SUBSTRATE FOR IRREGULARITIES THAT MAY ADVERSELY AFFECT THE APPLICATION SUCH AS MINOR PROTRUSIONS AND VOIDS. CUT INTO THE EPS NEED TO BE FILLED PRIOR TO THE STUCCO MAX INSTALLATION. LOW EXPANSION SPRAY FOAM IS APPLIED INTO THE VOID, ALLOWED TO CURE AND SHAVED FLAT WITH THE SURFACE.
- (1.7) **MIXING**
- (1.7.1) **WATER:** MIXING WATER MUST BE POTABLE AND FROM A MUNICIPAL SOURCE. WATER TEMPERATURE SHOULD BE CONSIDERED AND ADJUSTED IF NECESSARY.
- (1.7.2) **MIXING:** POUR 4.5 QUARTS OF WATER INTO THE MIXING BUCKET AND BEGIN TO ADD STUCCO MAX. BEGIN MIXING WHILE SLOWLY ADDING IN REMAINING STUCCO MAX BAG CONTENTS. MIX TIME IS APPROXIMATELY 3 MINUTES OR UNTIL A SMOOTH LUMP FREE CONSISTENCY IS MET. SMALL AMOUNTS OF WATER MAY BE ADDED TO ADJUST MATERIAL CONSISTENCY IF NECESSARY.
- (1.7.3) **EQUIPMENT:** H/D DRILLS WITH TYPICAL PLASTER MIXER ATTACHMENTS MAY BE USED. HAND HELD ERGONOMIALLY ENGINEERED MIXERS ARE ALSO ACCEPTABLE. AVOID EXCESSIVE HIGH SPEEDS AS THIS CAN CREATE HEAT AND ACCELERATE SETTINGS TIMES, REDUCING WORKABILITY.
- (1.7.4) **POT LIFE:** STUCCO MAX BUCKET LIFE IS APPROXIMATELY 20 MINUTES. PLAN THE INSTALLATION SO THAT EACH BATCH CAN BE CONVENIENTLY APPLIED WITHIN THIS TIME FRAME. RE TEMPERING BATCHES THAT ARE BEGINNING TO SET IS STRONGLY DISCOURAGED.
- (1.8) **SPRAY EQUIPMENT**
- STUCCO MAX MAY BE APPLIED BY HAND TROWEL, HOPPER GUN TEXTURE SPRAYER OR STUCCO/PLASTER TYPE SPRAY EQUIPMENT.

(1.9) **APPLICATION**

- (1.9.1) **COAT WORKING MATERIAL THROUGHOUT** WHILE ENSURING THAT THE MESH IS FLAT AND FREE OF WRINKLES. OVERLAP ADJOINING MESH BY A MINIMUM OF 2.5" TO 4" IDEALLY. A SECOND PASS OF STUCCO MAX IS IMMEDIATELY APPLIED OVER THE MESH TO THE SPECIFIED THICKNESS. THIS IS A TRUE ONE COAT DOUBLE BACK (TWO PASS) METHOD THAT TYPICALLY RESULTS IN 1/2" OVERALL THICKNESS.
- (1.9.2) **MESH:** MESH GAUGE 11 OUNCE PER YARD ARE OVERLAPPED ON ALL EDGES A MINIMUM OF 2.5". APPLY MESH STRIPS ON ALL CORNERS OF DOORS AND WINDOWS WHERE CRACKING IS MOST LIKELY TO OCCUR. THESE ARE ALSO PRE-CUT 1" AND 1/2" SHAPES AND IS AN INDUSTRY STANDARD CRACK REDUCER.
- (1.9.3) **TROWEL FINISH:** WORKING TIME DEPENDS ON MATERIAL VISCOSITY, TEMPERATURE AND HUMIDITY. GENERALLY, THE MATERIAL IS EASILY APPLIED IN APPROXIMATELY 20 MINUTES. TROWEL LINES AND APPLICATION IRREGULARITIES MAY NOT OVER TROWEL AS SURFACE BULSTERING MAY OCCUR. PLAN TO IMPROVE THE WALL PROFILE IN THE RELATIVE SHORT TERM.
- (1.9.4) **SURFACE PROTECTION AND DECORATION**
- (1.9.4.1) **PRIMER:** EXTERIOR MASONRY TYPE PAINT PRIMERS ARE RECOMMENDED PRIOR TO FINAL PAINT COAT. WASHING THE WALL SURFACE TO REMOVE ANY DUST OR CONTAMINANTS IS HIGHLY RECOMMENDED PRIOR TO ANY PAINTING. IF THE NATURAL STUCCO MAX IS PREFERRED IT SHOULD BE SEALED WITH A CLEAR NON STAINING SEALER WHICH WILL ASSIST REDUCING STAINS OR WATERMARKS CAUSED BY RAIN RUN-OFF.
- (1.9.5) **CURING:** ENSURE THAT STUCCO MAX IS ALLOWED TO CURE IN TEMPERATURES WITHIN THE APPLICATION TEMPERATURE RANGE. MOIST CURING FOR 2 HOURS IS RECOMMENDED.

PRODUCT REVISED  
as complying with the Florida  
Building Code  
Assurance No. 24-0104.02  
Expiration Date: 05/03/2024  
By: *Walter A. Tiltit*  
Miami Code Product Control



P.E. SEAL/SIGNATURE/DATE  
MIAMI DADE COUNTY

©2024 TILTECO, INC.  
**TILTECO INC.**  
TILIT TESTING & ENGINEERING COMPANY  
6355 N.W. 36th St., Ste. 205, Virginia Gardens, Ft. 33166  
Phone: 7 (305)971-1531  
CA-0006719 (305)971-1531

FLORIDA BUILDING CODE (HIGH VELOCITY HURRICANE ZONE)

GigaCrete Exterior Wall Panel System

**GigaCrete**  
4550 ENGINEERS WAY, SUITE 101  
NORTH LAS VEGAS, NV 89081

REV. NO.	DESCRIPTION	DATE	REV. NO.	DESCRIPTION	DATE
1	OLD 20-259	09/21/24	2		

W.H. DRAWN BY: 09/21/2024  
DATE: 24-056  
DRAWING NO. SHEET 2 OF 13

**SPECIFICATIONS & APPLICATION SEQUENCE FOR PLASTER MAX ON WALL PANELS MANUFACTURED BY GIGACRETE, INC.**

- (2) **PLASTER MAX: INTERIOR VENEER PLASTER OVER EPS FOAM**
- (2.1) **DESCRIPTION:** PLASTER MAX IS A STATE-OF-THE-ART ABUSE RESISTANT VENEER PLASTER SPECIFICALLY FORMULATED TO PROVIDE A VERSATILE HIGH-STRENGTH INTERIOR WALL FINISH OVER EXPANDED POLYSTYRENE FOAM. THE PRODUCT MAY BE INSTALLED IN ONE OR MULTIPLE COAT APPLICATIONS DEPENDING ON SPECIFICATION REQUIREMENTS AND DESIRED AESTHETIC EFFECTS. PLASTERMAX COMPLES WITH ASTM E136, ASTM E84, ASTM C21, ASTM C587, UBC 26-3 AND NFPA 286 FIRE RATING.
- (2.2) **CLIMATE:**
- (2.2.1) **TEMPERATURE:** PLASTERMAX MUST BE APPLIED ON INTERIOR WALLS WITH A MINIMUM SURFACE TEMPERATURE AND AMBIENT ROOM TEMPERATURES BETWEEN 55°F AND 95°F (13°C-35°C) WITH A MINIMUM WALL SURFACE TEMPERATURE ABOVE 50°F (10°C). IN COLDER ENVIRONMENTS THE BUILDING SHALL BE HEATED LONG ENOUGH TO BRING THE SURFACE TEMPERATURE OF THE SUBSTRATE ABOVE 50°F AND MAINTAINED UNTIL PLASTERMAX HAS SUFFICIENTLY CURED. DO NOT APPLY PLASTERMAX IN TEMPERATURE ABOVE 95°F. USE A/C OR SWAMP COOLERS TO ACHIEVE IDEAL ROOM TEMPERATURES.
- (2.2.2) **HUMIDITY:** THE BUILDING MUST HAVE A MINIMUM RELATIVE HUMIDITY TO BE PROVIDED BY GIGACRETE TO AVOID PREMATURE SURFACE DRYING AND CONSISTENT CURING.
- (2.2.3) **IDEAL DRYING & AIR MOVEMENT:** STRICTLY FOLLOW GIGACRETE SPECIFICATIONS FOR TEMPERATURE & HUMIDITY PERCENTAGE, AS WELL AS CONTROL OF AIR MOVEMENT.
- (2.2.4) **DIRECT SUNLIGHT:** SHADE THE APPLICATION SUBSTRATE IS FREE OF SURFACE MOISTURE PRIOR TO THE PLASTERMAX APPLICATION AND THAT THE SOURCE OF THE MOISTURE IS PROPERLY ADDRESSED. PLASTERMAX MUST NOT BE MOISTENED DURING THE APPLICATION OR DURING THE INITIAL CURE PERIOD.
- (2.3) **SUBSTRATE PREPARATION**
- (2.3.1) **ALL FOAMS:** PREPARATION IS NECESSARY TO REMOVE POTENTIAL BOND BREAKERS AND TO ENSURE GOOD ADHESION. MECHANICAL CHASE VOIDS CUT INTO THE EPS NEED TO BE PRIOR TO THE PLASTERMAX INSTALLATION.
- (2.4) **MIXING PLASTERMAX ACTIVATOR & MIXING EQUIPMENT:** PER GIGACRETE SPEC'S
- (2.4.1) **SPRAY EQUIPMENT:** PLASTERMAX MAY BE APPLIED BY HAND TROWEL, HOPPER GUN TEXTURE SPRAYER OR STUCCO/PLASTER TYPE SPRAY EQUIPMENT. WHEN USING SPRAY EQUIPMENT, IT MAY BE NECESSARY TO ADJUST THE AIR FLOW.
- (2.5) **ACCESSORIES**
- (2.5.1) **CONTROL JOINTS:** CONTROL JOINTS ARE NECESSARY TO COMPENSATE FOR POTENTIAL STRUCTURAL MOVEMENT, SETTLING, THERMAL AND HUMIDITY EXPANSION OR CONTRACTION AND PROVIDE INSTALLATION STOP AND START POINTS. IT IS RECOMMENDED THAT JOINTS ARE PLACED AT REGULAR SPACING'S; HOWEVER DEPENDING ON WALL HEIGHTS IT IS BEST TO FOLLOW INDUSTRY STANDARD PLASTER CONTROL JOINT SPACING.
- (2.5.2) **PLASTIC "V" JOINTS:** ARE PREFERRED AS IT IS EASIER TO MAINTAIN THE TARGET INSTALLATION DEPTH ALONG A TEMPORARY TEAR AWAY STRIP THAT RUNS ALONG EACH SIDE OF THE CENTER GROOVE.
- (2.5.3) **CASING BEAD:** CASING BEADS ARE NECESSARY TO ISOLATE PLASTERMAX FROM DISSIMILAR MATERIALS SUCH AS METAL DOOR FRAMES, METAL WINDOW FRAMES, CEILING, FLOORS AND WALLS.
- (2.5.4) **OUTSIDE CORNER BEAD:** OUTSIDE CORNER BEADS ARE OPTIONAL BUT RECOMMENDED.
- (2.6) **FINISH: DIRECT APPLICATION TO FOAM**
- (2.6.1) **PREPARATION:** REMOVE ALL POSSIBLE BOND BREAKERS SUCH AS DUST, DIRT, OIL, MOISTURE, WALL PAPER ETC. SURVEY THE SUBSTRATE FOR IRREGULARITIES THAT MAY ADVERSELY AFFECT THE APPLICATION SUCH AS MINOR PROTRUSIONS AND VOIDS. WALLS MUST NOT BE WET OR MOIST OR CONTAIN MOISTURE TRAPPED WITHIN THE WALLS. ALL FOAMS SHOULD BE RASPED AND CLEAN OF CONTAMINANTS AND DO NOT REQUIRE ACRYLIC BONDERS.
- (2.6.2) **REINFORCED MESH:** 11 OZ FIBERGLASS FROM GIGACRETE IS A CRITICAL PART OF THE PLASTERMAX APPLICATION. A 1/4" (3MM) MINIMUM COAT OF PLASTERMAX IS APPLIED TO THE SUBSTRATE BEING COATED AND WORKED REASONABLY FLAT. OVERLAP 2" TO 3" ADJOINING VERTICALLY HUNG MESH SHEETS. AN ADDITIONAL COAT OF PLASTERMAX IS NOW APPLIED OVER THE FIRST LAYER AND BUILT UP TO THE DESIRED THICKNESS.
- (2.6.3) **SPRAYING:** SPRAYING IS BOTH FASTER TO APPLY AND ALLOWS LARGE WALLS TO BE COVERED QUICKER. PLASTERMAX MAY BE APPLIED BY HANK AND TROWEL BUT SPRAY APPLICATION IS RECOMMENDED FOR BEST RESULTS.
- (2.6.4) **TROWEL THING & TROWEL:** PLASTERMAX IS HAND APPLIED LIKE MOST CONVENTIONAL PLASTER MATERIAL.
- (2.6.5) **TROWEL PASSES:** APPROXIMATELY 20 MINUTES AFTER THE INITIAL APPLICATION AND IN 20 MINUTE INTERVALS FOR SUBSEQUENT TROWEL PASSES. TROWELLING FROM TOP TO BOTTOM EACH TIME HELPS TO KEEP A GOOD WALL PROFILE.
- (2.6.6) **SMOOTH FINISH & TEXTURES:** FOR A SMOOTH WALL FINISH A STEEL TROWEL TYPICALLY USED FOR CONVENTIONAL PLASTER MAY BE USED. IT IS IMPORTANT TO ALLOW PLASTERMAX TO TAKE AN INITIAL SET (GEL STAGE) BEFORE ATTEMPTING TO FINISH IT. SMOOTH, SPOT TEXTURES SUCH AS ORANGE PEEL, SPLATTER AND SPATTER KNOCKDOWN ARE ALSO POSSIBLE. TEXTURING IS PERFORMED DURING THE SECOND COAT APPLICATION.

- (2.6.7) **SURFACE PROTECTION**
- (2.6.7.1) **PAINT:** WALL PAINT IS MOST COMMONLY USED TO SEAL, PROTECT, AND PROVIDE A CONSISTENT DECORATIVE FINISH TO CURED PLASTERMAX. BREATHABLE LATEX PRIMERS AND PAINT TYPICALLY USED FOR CONVENTIONAL PLASTERS ARE RECOMMENDED AFTER A MINIMUM 3 DAY CURE PERIOD.
- (2.6.7.2) **SEALER:** PLASTERMAX THAT IS NOT BEING PAINTED MUST BE SEALED WITH QUALITY SILICONE SEALERS. ALWAYS TRY A CHOSEN SEALER IN A SMALL AREA TO CHECK FOR COMPATIBILITY BEFORE APPLYING TO LARGE AREAS OR CONTACT GIGACRETE FOR BRAND RECOMMENDATIONS.
- (2.6.7.3) **CLEAN UP:** ALL MIXING SPRAYING AND FINISH EQUIPMENT MUST BE THOROUGHLY WASHED IMMEDIATELY AFTER USE. POTABLE TAP WATER IS SUFFICIENT FOR CLEANING.
- (2.6.7.4) **CURING:** DRYING AND CURING TIMES MAY VARY WIDELY DUE TO TEMPERATURE AND HUMIDITY DIFFERENCES FROM ONE LOCATION TO ANOTHER. IT IS IMPORTANT FOR PLASTERMAX TO BE FULLY DRY BEFORE APPLYING ANY SURFACE TREATMENT OR DECORATIVE PRODUCT. QUESTIONS REGARDING DRYING AND CURING MAY BE DIRECTED TO GIGACRETE AUTHORIZED TECHNICAL ASSISTANCE REPRESENTATIVE.
- (2.6.7.5) **LIMITATIONS:**
- DO NOT OVER WET, AS THIS MAY LEAD TO PRODUCT FAILURES.
  - DO NOT TEMPER THE MATERIAL WITH ADDITIONAL ACTIVATOR AFTER INITIAL MIXING AS THIS MAY LEAD TO PRODUCT FAILURES.
  - METALLIC SURFACES SUCH FASTENERS, OTHER THAN STAINLESS STEEL OR BRASS, SHOULD NOT DIRECTLY CONTACT PLASTERMAX. SEAL ALL EXPOSED METAL SURFACES CONTACTING PLASTERMAX WITH A SUITABLE PRIMER OR OTHER ANTI-CORROSIVE COATING PRIOR TO PRODUCT APPLICATION OR SEPARATE BY USING PLASTIC COMPONENTS TRIM OR GAPS WITH SILICONE CAULKING.

PRODUCT REVISED  
in compliance with the Florida  
Building Code  
Acceptance Date: 01/04/02  
03/03/2024  
By: *Walter A. Tilit Jr.*  
Miami Code Product Control



P.E. SEAL/SIGNATURE/DATE

MIAMI DADE COUNTY

FLORIDA BUILDING CODE (HIGH VELOCITY HURRICANE ZONE)

GigaCrete Exterior Wall Panel System

**GigaCrete**

4550 ENGINEERS WAY, SUITE 101  
NORTH LAS VEGAS, NV 89081

REV. NO. DATE REV. NO. DATE  
1 05/21/24 2 05/21/24 3 05/21/24 4

WALTER A. TILIT JR., P.E.  
FLORIDA LIC. # 44167

02024 TILTECO, INC.

**TILTECO INC.**

TILIT TESTING & ENGINEERING COMPANY  
6335 N.W. 36th St., Ste. 205, Virginia Gardens, Ft. 33166  
Phone: (305)811-1531 CA-0006719

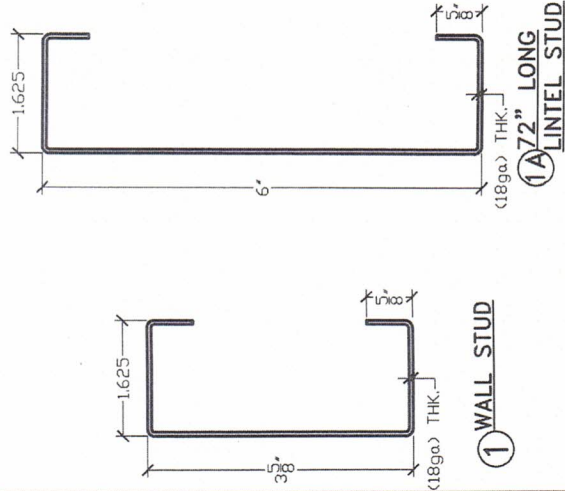
W.H. DRAWN BY: 05/21/2024  
DATE: 24-056  
DRAWING NO. SHEET 3 OF 13

# BILL OF MATERIALS

COMPONENT No.	DESCRIPTION	DIMENSIONS	MATERIAL	MANUFACTURER	NOTES
①	WALL STUD	1 5/8" X 3 5/8" X 18 GAUGE W/ 5/8" LIP	ASTM A-653 GRADE 40 G-60 GALV. STEEL	-	USE (3) EACH 48" WIDE SOLID PANEL. Fy=46.1 ksi; Fu=55.8 ksi
①A	72" LONG LINTEL STUD	1 5/8" X 6" X 18 GAUGE W/ 5/8" LIP	ASTM A-653 GRADE 40 G-60 GALV. STEEL	-	USE (2) EACH 72" LONG LINTEL. Fy=46.1 ksi; Fu=55.8 ksi
②	TOP AND BOTTOM TRACKS	1 5/8" X 3 3/4" X 18 GAUGE CHANNEL	ASTM A-653 GRADE 40 G-60 GALV. STEEL	-	FIT ① TO ② TOP & BOTTOM & FASTEN W/ (2) ③ AT TOP & (2) ③ @ BOTTOM. Fy=46.1 ksi; Fu=55.8 ksi
③	FASTENER FOR ② & ①	#10-16 X 3/4" F.H. SELF DRILLING SCREW	COATED STEEL, GRADE 5	-	USE W/ (1) 11 OUNCE/Yd FIBERGLASS MESH AT MID-THICKNESS, APPLY OVER ⑥. SEE SHEET 2
④	EXTERIOR STUCCO	1/4" THICK STUCCO MAX "	NON-PORTLAND CEMENT BASED EXTERIOR WALL FINISH COATING	GIGACRETE INC.	INCLUDES CUTS TO FIT ① AND ②
⑤	INTERIOR VENEER PLASTER	3/16" THICK PLASTER MAX.	INTERIOR WALL FINISH COATING	GIGACRETE INC.	USE AT ② @ 24" O.C EACH 48" SOLID PANEL W/ 6 3/4" MIN. EMBEDMENT & 4" EDGE DISTANCE
⑥	APPROVED INTERIOR FOAM INSULATION	6" THICK	EPS/EXPANDED POLYSTYRENE TYPE 1 (1 p.c.f.) DENSITY	DIYPLAST PRODUCTS LLC W/NOA.	USE AT ② W/ ⑩ @ 48" O.C W/ (2) BUTT SPLICED RODS W/ 4" COUPLING W/ 6 3/4" MIN. EMBEDMENT INTO CONCRETE & 4" EDGE DISTANCE
⑦A	ALL THREAD ANCHOR W/ SET 22" EPOXY FOR ② AT BOTTOM	3/4" Ø X 9" ALL THREADED RODS W/ 1/8" X 1 1/2" O.D WASHERS	GALVANIZED STEEL RODS	SIMPSON STRONG-TIE	USE (2) EACH ⑦B (TOP & BOTTOM)
⑦B	ALL THREAD ANCHOR W/ SET 22" EPOXY FOR ② AT TOP AND BOTTOM	3/4" Ø ALL THREADED RODS W/ 1/8" X 1 1/2" O.D WASHERS	GALVANIZED STEEL RODS	SIMPSON STRONG-TIE	USE UNDER ② (BOTTOM) CONTINUOUS
⑩	PLATE WASHER FOR ⑦B	1/4" X 2 3/4" X 2 3/4"	ASTM A-36 COATED STEEL	-	
⑫	BOTTOM TRACK ② SEALER	1/8" THK. X 3 5/8" CONT.	FOAM/DOW GASKET	-	

## COMPONENTS

NTS



PRODUCT REVISED as complying with the Florida Building Code  
 Acceptance No. 24-0104-02  
 Expiration Date: 05/23/2029  
 By: *Walter A. Tilit*  
 Miami-Dade Product Control

TILECO INC.  
 TILECO TESTING & ENGINEERING COMPANY  
 4550 N.W. 36th St., Ste. 205, Virginia Gardens, Ft. Lauderdale, FL 33166  
 Phone: (954) 340-0079 (954) 340-1531  
 WALTER A. TILIT, J., P.E.  
 FLORIDA Lic. # 44167

GigaCrete Exterior Wall Panel System

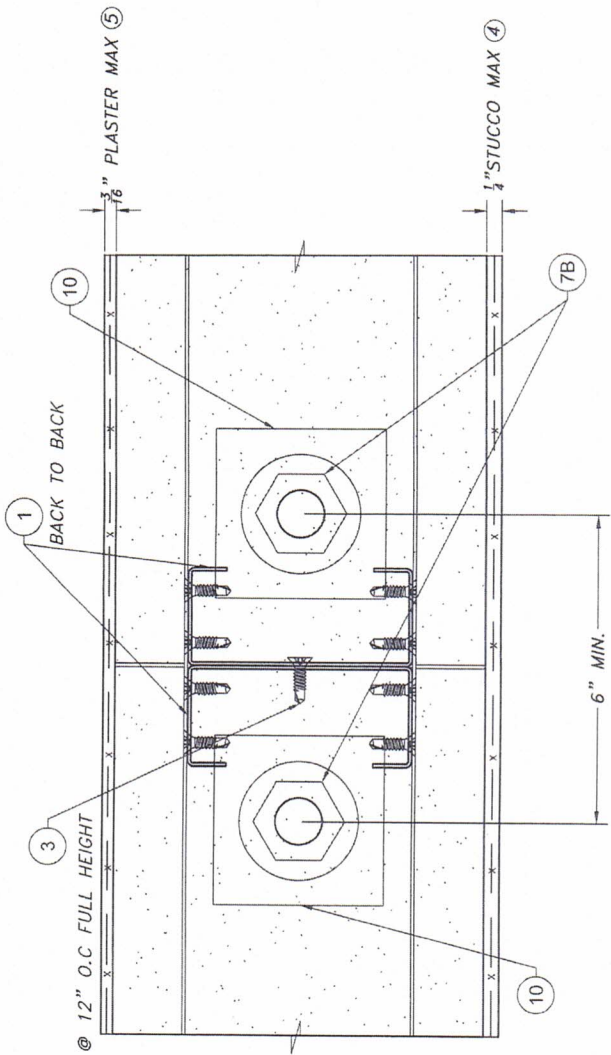
GigaCrete  
 4550 ENGINEERS WAY, SUITE 101  
 NORTH LAS VEGAS, NV 89081

FLORIDA BUILDING CODE (HIGH VELOCITY HURRICANE ZONE)

W.H. DRAWN BY: 05/21/2024  
 DATE: 24-056  
 DRAWING NO.

REV. NO.	DESCRIPTION	DATE	REV. NO.	DESCRIPTION	DATE
1		05/21/24	3		
2			4		

SHEET 4 OF 13



TYPICAL SEALING SECTION AT JOINT  
 BETWEEN GigaCrete PANELS  
 N.T.S.



PRODUCT REVISED  
 as complying with the Florida  
 Building Code  
 Acceptance No. 24-0104, 02  
 Expiration Date 05/03/2029  
 By: *Walter A. Tillit Jr.*  
 Miami Code Product Control

MIAMI DADE COUNTY

P.E. SEAL/SIGNATURE/DATE

FLORIDA BUILDING CODE (HIGH VELOCITY HURRICANE ZONE)

GigaCrete Exterior Wall Panel System		W.H.	09/21/2024
GigaCrete		DRAWN BY:	
4550 ENGINEERS WAY, SUITE 101 NORTH LAS VEGAS, NV 89081		DATE:	
REV. NO.		DESCRIPTION	DATE
1	OLD 20-259	05/21/24	3
2			

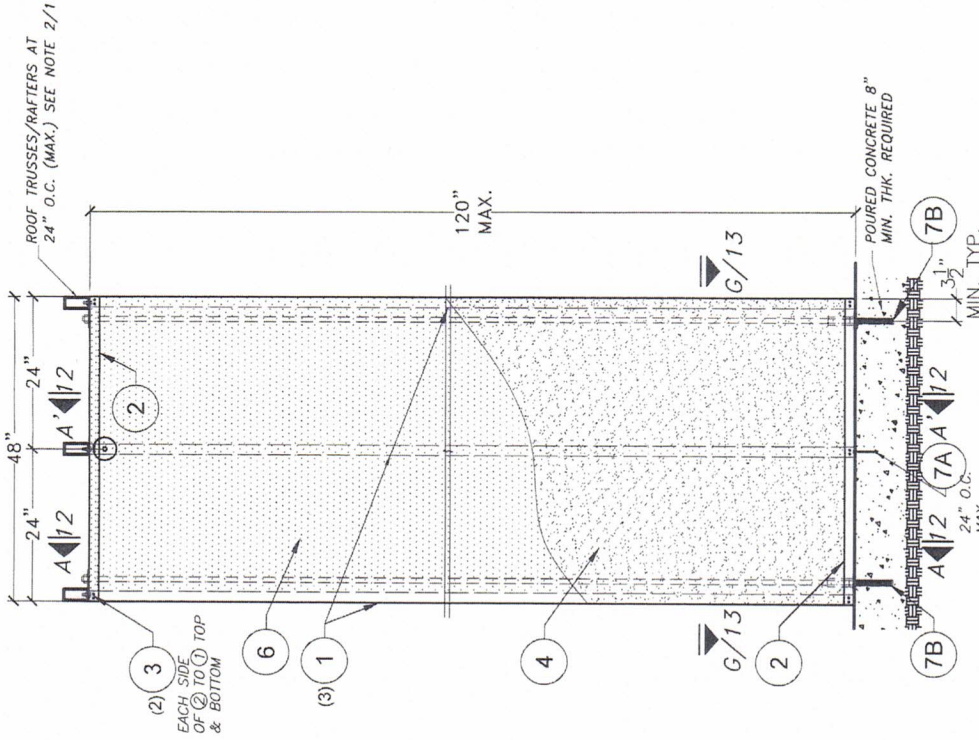
02024 TILECO, INC.

**TILECO INC.**

TILIT TESTING & ENGINEERING COMPANY  
 655 N.W. 36th Street, Suite 3186  
 Fort Lauderdale, FL 33309  
 CA-0006719  
 WALTER A. TILLIT JR., P.E.  
 FLORIDA Lic. # 44167

24-056  
 DRAWING No.  
 SHEET 5 OF 13





TYPICAL SOLID PANEL ELEVATION

SCALE 1/2" = 1'-0"

FLORIDA BUILDING CODE (HIGH VELOCITY HURRICANE ZONE)					
W.H.	05/21/2024				
DRAWN BY:	DATE:				
GigaCrete Exterior Wall Panel System					
GigaCrete					
4550 ENGINEERS WAY, SUITE 101 NORTH LAS VEGAS, NV 89081					
REV. NO.	DESCRIPTION	DATE	REV. NO.	DESCRIPTION	DATE
1	OLD 20-259	05/21/24	3		
2			4		

©2024 TILTECO, INC.

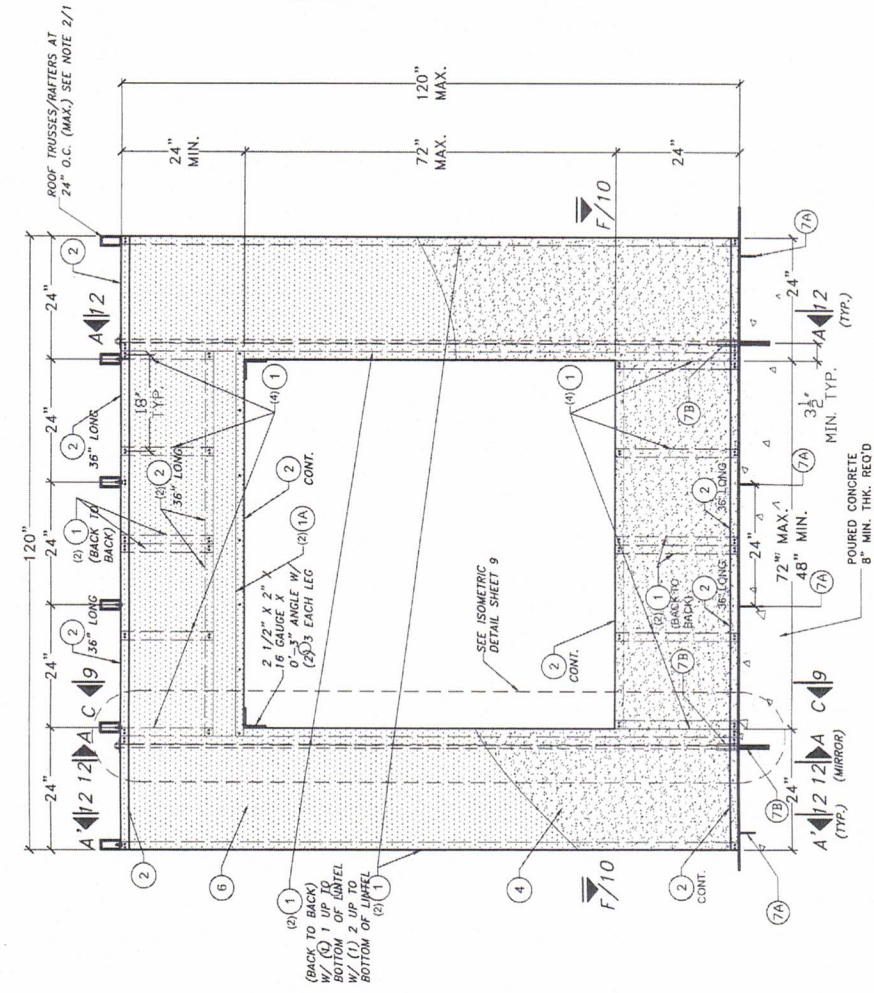
**TILTECO INC.**

TILLIT TESTING & ENGINEERING COMPANY  
 6355 N.W. 36th Avenue, Suite 3166  
 Fort Lauderdale, FL 33309  
 Phone: (954) 341-1332 Fax: (954) 341-1334  
 CA-0006719  
 WALTER A. TILLIT, Jr., P.E.  
 FLORIDA LIC. # 44167

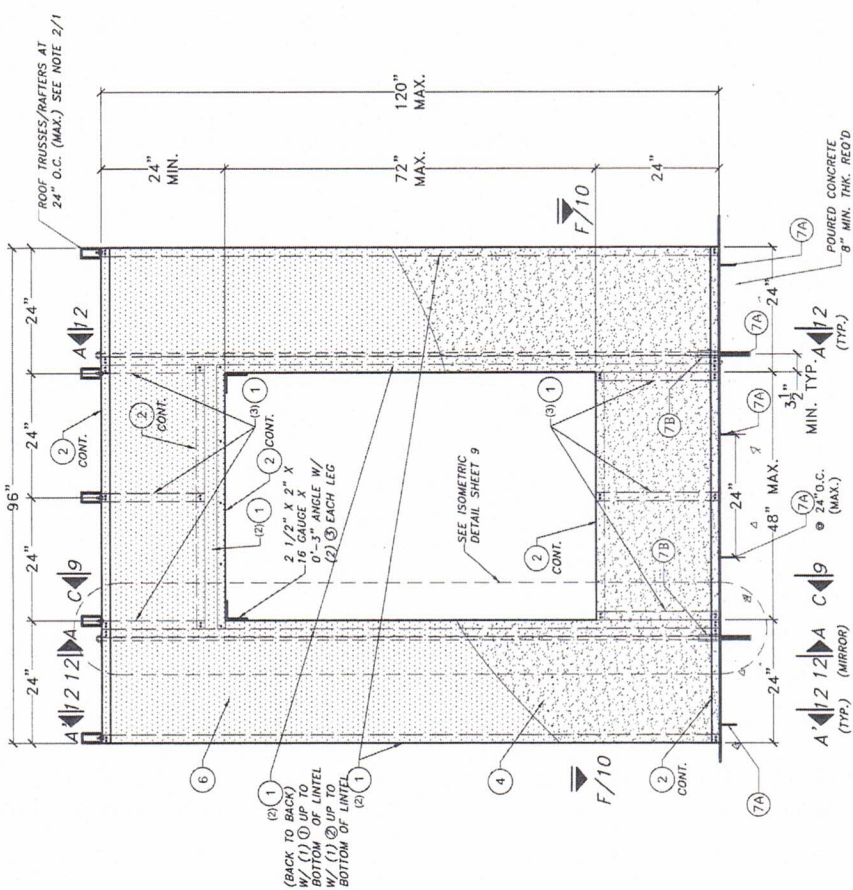
WALTER A. TILLIT, JR.  
 LICENSE NO. AA167  
 PROFESSIONAL ENGINEER  
 FLORIDA  
 P.E. SEAL/SIGNATURE/DATE

PRODUCT REVISED  
 as complying with the Florida  
 Building Code  
 Acceptance No. 24-0104.02  
 Expiration Date 07/01/2029  
 By: *Walter A. Tillit, Jr.*  
 Miami Dade Product Control

MIAMI DADE COUNTY



**72" (MAX.) x 72" (MAX.) WINDOW  
OPENING ELEVATION**  
SCALE 1/2"=1'-0"



**48" MAX. x 72" MAX. WINDOW  
OPENING ELEVATION**  
SCALE 1/2"=1'-0"

**TYPICAL WINDOW PANELS**

PRODUCT REVISED  
as complying with the Florida  
Building Code  
Acceptance No. 24-0104.02  
Expiration Date 05/03/2023  
By: *Walter A. Tilt*  
Miami Dade Product Control



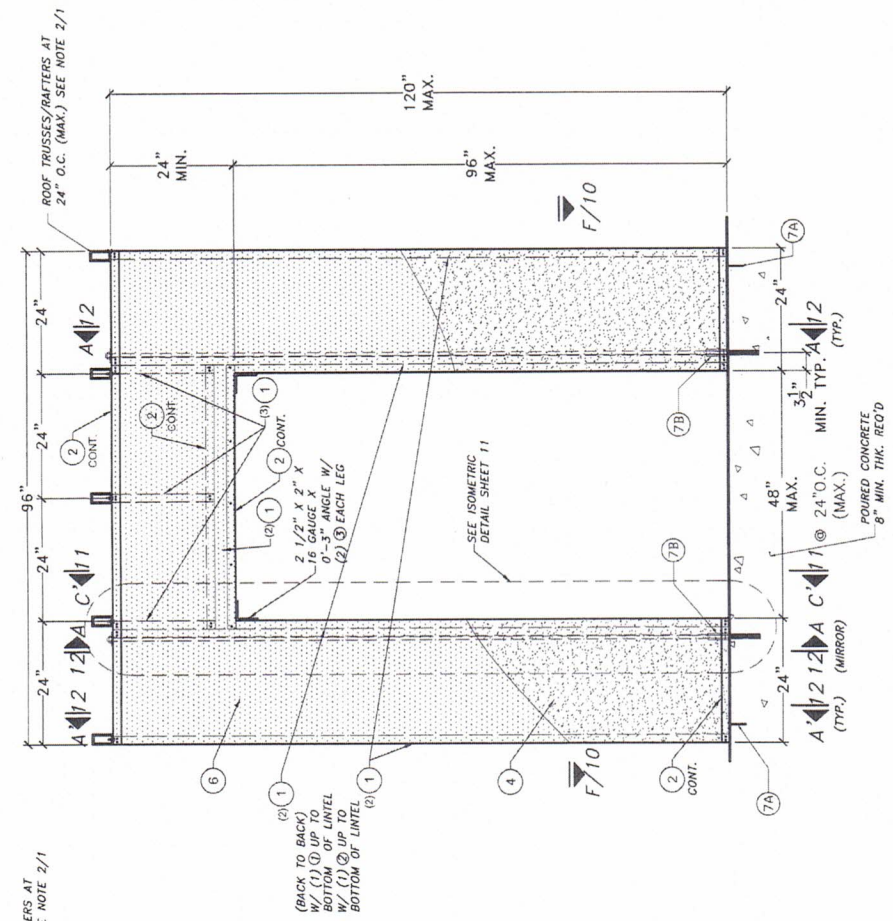
MIAMI DADE COUNTY

©2024 TILTECO, INC.

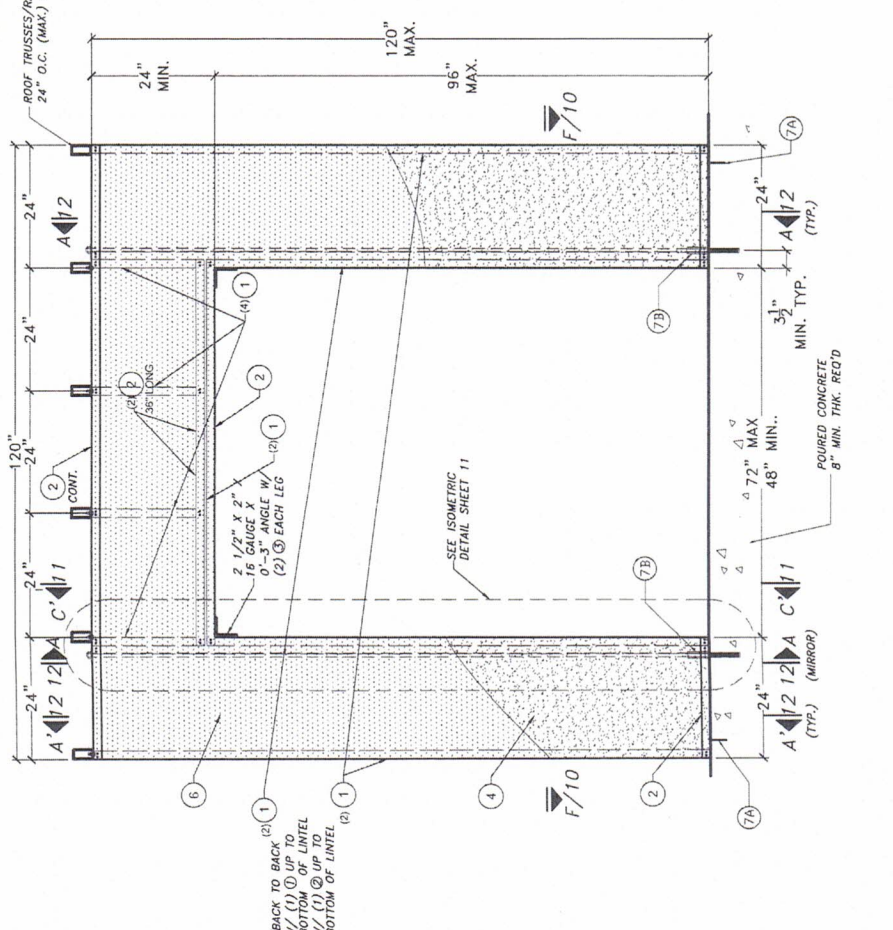


WALTER A. TILT, Jr., P.E.  
FLORIDA Lic. # 44167

FLORIDA BUILDING CODE (HIGH VELOCITY HURRICANE ZONE)	
GigaCrete Exterior Wall Panel System	W.H. DRAWN BY:
<b>GigaCrete</b>	05/21/2024 DATE:
4550 ENGINEERS WAY, SUITE 101 NORTH LAS VEGAS, NV 89081	24-056 DRAWING NO.
REV. NO. DESCRIPTION DATE	REV. NO. DESCRIPTION DATE
1 OLD 20-208 05/21/24	1
2	2
3	3
4	4
5	5
6	6
7	7
8	8
9	9
10	10
11	11
12	12
13	13
14	14
15	15
16	16
17	17
18	18
19	19
20	20
21	21
22	22
23	23
24	24
25	25
26	26
27	27
28	28
29	29
30	30
31	31
32	32
33	33
34	34
35	35
36	36
37	37
38	38
39	39
40	40
41	41
42	42
43	43
44	44
45	45
46	46
47	47
48	48
49	49
50	50
51	51
52	52
53	53
54	54
55	55
56	56
57	57
58	58
59	59
60	60
61	61
62	62
63	63
64	64
65	65
66	66
67	67
68	68
69	69
70	70
71	71
72	72
73	73
74	74
75	75
76	76
77	77
78	78
79	79
80	80
81	81
82	82
83	83
84	84
85	85
86	86
87	87
88	88
89	89
90	90
91	91
92	92
93	93
94	94
95	95
96	96
97	97
98	98
99	99
100	100



**72" x 96" DOOR OPENING ELEVATION**  
SCALE 1/2"=1'-0"



**48" x 96" DOOR OPENING ELEVATION**  
SCALE 1/2"=1'-0"



PRODUCT REVISED  
as complying with the Florida  
Building Code  
Acceptance No. 24-0104.02  
Expiration Date 05/03/2024  
By: *Walter A. Tilt, Jr.*  
Walter A. Tilt, Jr. Product Control

MIAMI DADE COUNTY  
P.E. SEAL / SIGNATURE / DATE

FLORIDA BUILDING CODE (HIGH VELOCITY HURRICANE ZONE)

**GigaCrete Exterior Wall Panel System**

**TILECO INC.**  
©2024 TILECO, INC.  
TILE TESTING & ENGINEERING COMPANY  
6350 N.W. 34th St., Ste. 200, Virginia Gardens, FL 33166  
Phone: (305) 871-1531

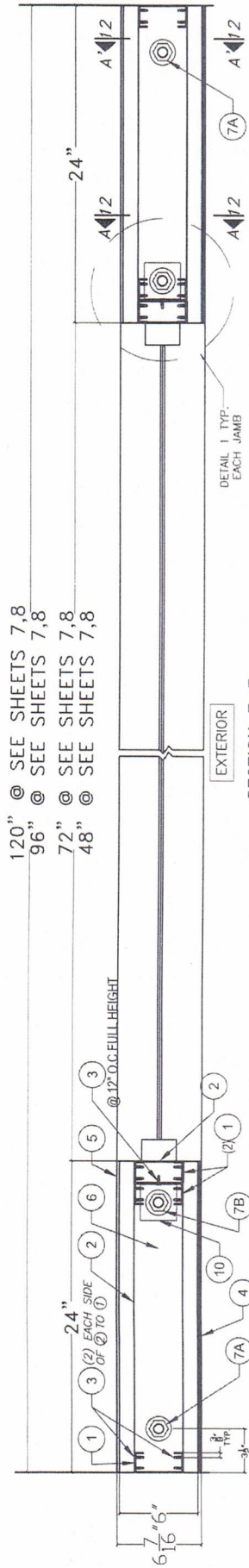
**GigaCrete**  
4550 ENGINEERS WAY, SUITE 101  
NORTH LAS VEGAS, NV 89081

WALTER A. TILT, JR., P.E.  
FLORIDA LIC. # 44167

REV. NO.	DESCRIPTION	DATE	REV. BY
1	OLD 20-258	05/21/24	
2			

W.H. DRAWN BY: 05/21/2024  
DATE: 24-056  
DRAWING NO.  
SHEET 8 OF 13





120" @ SEE SHEETS 7,8  
 96" @ SEE SHEETS 7,8  
 72" @ SEE SHEETS 7,8  
 48" @ SEE SHEETS 7,8

@ 12" O.C. FULL HEIGHT

EXTERIOR  
 SECTION F-F  
 SCALE 1-1/2"=1'-0"



PRODUCT REVISED  
 as complying with the Florida  
 Building Code  
 Acceptance No. 24-0104.02  
 Expiration Date 05-01-2029  
 By: *[Signature]*  
 Miami Dade Product Control

MIAMI DADE COUNTY

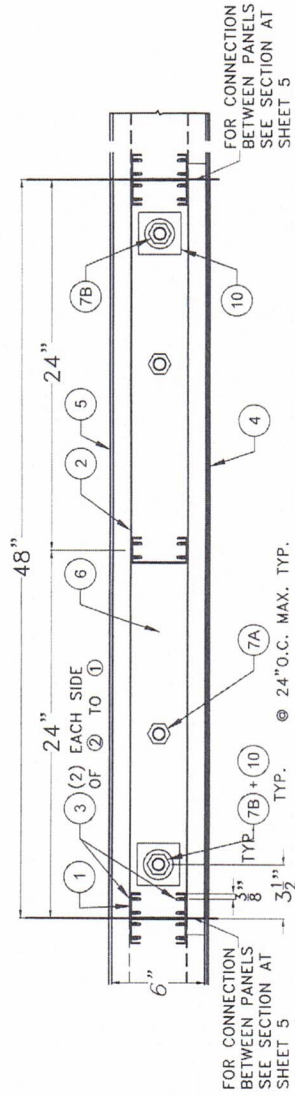
P.E. SEAL/SIGNATURE/DATE

FLORIDA BUILDING CODE (HIGH VELOCITY HURRICANE ZONE)	
GigaCrete Exterior Wall Panel System	W.H. DRAWN BY: 05/21/2024 DATE
GigaCrete	24-056 DRAWING NO.
4350 ENGINEERS WAY, SUITE 101 NORTH LAS VEGAS, NV 89081	REVISION
REV. NO. 1	DESCRIPTION DATE REV. BY
1	OLD 20-259 05/21/24 3
2	
3	
4	
5	
6	
7	
8	
9	
10	

TILECO INC.  
 4350 ENGINEERS WAY, SUITE 101  
 NORTH LAS VEGAS, NV 89081  
 Phone: (702) 791-1151  
 Fax: (702) 791-1151  
 CA-0006719  
 WALTER A. TILLIT JR., P.E.  
 FLORIDA LIC. # 44167







**SECTION G-G**



**PRODUCT REVISED**  
 In compliance with the Florida  
 Building Code  
 Amendment No. 24-0101.02  
 Expiration Date: 01/01/2029  
 By: *Walter A. Tillit Jr.*  
 Miami-Dade Product Control

MIAMI DADE COUNTY

P.E. SEAL/SIGNATURE/DATE

FLORIDA BUILDING CODE (HIGH VELOCITY HURRICANE ZONE)		W.H.	05/21/2024
GigaCrete Exterior Wall Panel System		DRAWN BY:	DATE:
GigaCrete		24-056	DRAWING No.
4550 ENGINEERS WAY, SUITE 101 NORTH LAS VEGAS, NV 89001		DATE	REVISION
REV. NO.	DESCRIPTION	DATE	REV. NO.
1	01.07.2023	05/21/24	3
2			4

**TILECO INC.**  
 62024 TILECO, INC.  
 TULLIT TESTING & CONSULTING COMPANY  
 6335 N.W. 30th St., Suite 300  
 Phone: (305)971-1530 Fax: (305)971-1531  
 WALTER A. TILLIT, Jr., P.E.  
 FLORIDA Lic. # 44187